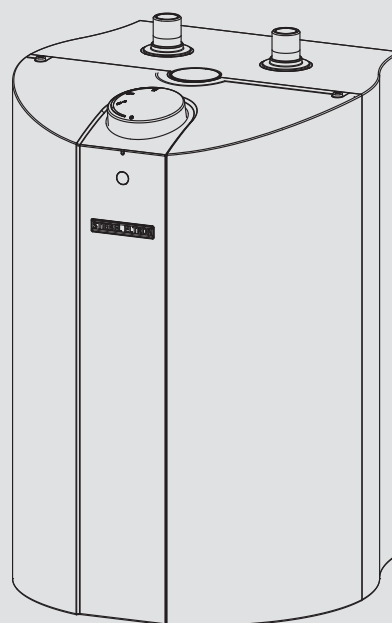


**OPERATION AND INSTALLATION
UTILISATION ET INSTALLATION
GEBRUIK EN INSTALLATIE
OBSLUHA A INSTALACE
OBSŁUGA I INSTALACJA**

Sealed unvented (pressurised) small water heater | Petit chauffe-eau ECS (sous pression) | Gesloten (drukvaste), kleine warmwaterboiler | Malý tlakový zásobník teplé vody | Mały, ciśnieniowy, pojemnościowy ogrzewacz

- » SHC 10
- » SHC 10 GB Eltron
- » SHC 15 Stiebel
- » SHC 15 GB Eltron



STIEBEL ELTRON

SPECIAL INFORMATION

OPERATION

1. General information	3
1.1 Safety instructions	3
1.2 Other symbols in this documentation	3
1.3 Units of measurement	3
2. Safety	3
2.1 Intended use	3
2.2 General safety instructions	4
2.3 Test symbols	4
3. Appliance description	4
3.1 Settings	4
4. Cleaning, care and maintenance	5
5. Troubleshooting	5

INSTALLATION

6. Safety	5
6.1 General safety instructions	5
6.2 Instructions, standards and regulations	5
7. Appliance description	5
7.1 Standard delivery	5
7.2 Accessories	5
8. Preparations	6
8.1 Installation site	6
9. Installation	6
9.1 Appliance installation	6
9.2 Safety valve installation	6
9.3 Water connection	7
9.4 Power supply	7
10. Commissioning	8
10.1 Initial start-up	8
10.2 Recommissioning	8
11. Settings	8
11.1 Setting the temperature limit	8
12. Shutdown	8
13. Troubleshooting	8
13.1 Activate high limit safety cut-out	9
14. Maintenance	9
14.1 Checking the safety valve	9
14.2 Draining the appliance	9
14.3 Opening the appliance	9
14.4 Removing the flanged immersion heater and temperature controller / high limit safety cut-out	9
14.5 Checking the protective anode and replacing if necessary	10
14.6 Fitting the flanged immersion heater and temperature controller / high limit safety cut-out	10
14.7 Descaling the appliance	10
14.8 Replacing the power cable	10
14.9 Checking the earth conductor	10

15. Specification	11
15.1 Dimensions and connections	11
15.2 Wiring diagram	11
15.3 Heat-up diagram	11
15.4 Country-specific approvals and certifications	11
15.5 Extreme operating and fault conditions	11
15.6 Details on energy consumption	12
15.7 Data table	12

GUARANTEE

ENVIRONMENT AND RECYCLING

SPECIAL INFORMATION

- The appliance may be used by children aged 3 and older and persons with reduced physical, sensory or mental capabilities or a lack of experience and know-how, provided that they are supervised or they have been instructed on how to use the appliance safely and have understood the resulting risks. Children aged 3 to 8 years are only allowed to operate the tap connected to the appliance. Children must never play with the appliance. Children must never clean the appliance or perform user maintenance unless they are supervised.
- When permanently connected to the power supply using a dedicated junction box, the appliance must be able to be isolated from the mains power supply by an isolator that disconnects all poles with at least 3 mm contact separation.
- The power cable may only be replaced (for example if damaged) by a qualified contractor authorised by the manufacturer, using an original spare part.
- Secure the appliance as described in chapter "Installation / Installation".
- Observe the maximum permissible pressure (see chapter "Installation / Specification / Data table").
- Drain the appliance as described in chapter "Installation / Maintenance / Draining the appliance".
- The appliance is pressurised. During the heat-up process, expansion water will drip from the safety valve.

OPERATION

General information

- Regularly activate the safety valve to prevent it from becoming blocked, e.g. by limescale deposits.
- Install a type-tested safety valve in the cold water supply line. Depending on the supply pressure, you may also need a pressure reducing valve.
- Size the drain pipe so that water can drain off unimpeded when the safety valve is fully opened.
- Fit the drain pipe of the safety valve with a constant downward slope and in a room free from the risk of frost.
- The safety valve drain must remain open to the atmosphere.

OPERATION

1. General information

The chapters "Special Information" and "Operation" are intended for both the user and qualified contractors.

The chapter "Installation" is intended for qualified contractors.



Note

Read these instructions carefully before using the appliance and retain them for future reference. Pass on the instructions to a new user if required.

1.1 Safety instructions

1.1.1 Structure of safety instructions



KEYWORD Type of risk

Here, possible consequences are listed that may result from failure to observe the safety instructions.

► Steps to prevent the risk are listed.

1.1.2 Symbols, type of risk

Symbol	Type of risk
	Injury
	Electrocution
	Burns (burns, scalding)

1.1.3 Keywords

KEYWORD	Meaning
DANGER	Failure to observe this information will result in serious injury or death.
WARNING	Failure to observe this information may result in serious injury or death.
CAUTION	Failure to observe this information may result in non-serious or minor injury.

1.2 Other symbols in this documentation



Note

General information is identified by the adjacent symbol.
► Read these texts carefully.

Symbol	Meaning
	Material losses (appliance damage, consequential losses and environmental pollution)
	Appliance disposal

► This symbol indicates that you have to do something. The action you need to take is described step by step.

1.3 Units of measurement



Note

All measurements are given in mm unless stated otherwise.

2. Safety

2.1 Intended use

This sealed unvented (pressurised) appliance is intended for heating domestic hot water. The appliance can supply one or more draw-off points.

This appliance is intended for domestic use. It can be used safely by untrained persons. The appliance can also be used in a non-domestic environment, e.g. in a small business, as long as it is used in the same way.

Any other use beyond that described shall be deemed inappropriate. Observation of these instructions and of instructions for any accessories used is also part of the correct use of this appliance.

2.2 General safety instructions



WARNING Burns
During operation, the tap and safety valve can reach temperatures in excess of 60 °C. There is a risk of scalding at outlet temperatures in excess of 43 °C.



WARNING Injury
The temperature selector should only be removed by a qualified contractor.



WARNING Injury
The appliance may be used by children aged 3 and older and persons with reduced physical, sensory or mental capabilities or a lack of experience and know-how, provided that they are supervised or they have been instructed on how to use the appliance safely and have understood the resulting risks. Children aged 3 to 8 years are only allowed to operate the tap connected to the appliance. Children must never play with the appliance. Children must never clean the appliance or perform user maintenance unless they are supervised.

Where children or persons with limited physical, sensory or mental abilities are allowed to use this appliance, we recommend a permanent temperature limit. A qualified contractor can set this limit.



Material losses
The user should protect the appliance, the water pipes, the safety valve and the tap against frost.



Material losses
If the drain pipe of the safety valve is sealed, expanding water can lead to water damage.
▶ Never close the drain pipe.

2.3 Test symbols

See type plate on the appliance.

3. Appliance description

The appliance constantly keeps the water content available at the preselected temperature. The appliance switches on automatically as soon as its temperature falls below the set value.

Subject to season, varying cold water temperatures can result in different maximum mixed water and outlet volumes.



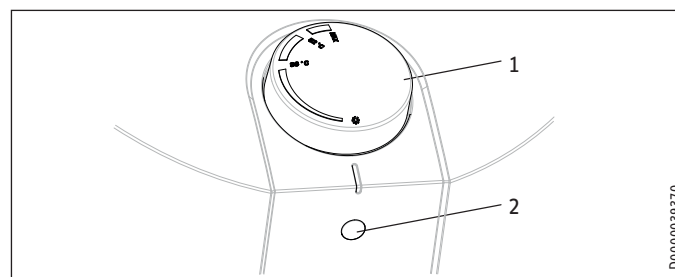
Note
A qualified contractor can set a temperature limit on the appliance (see "Installation / Settings / Setting the temperature limit").



Note
The appliance is under mains water pressure. The water volume increases as the cylinder is being heated up. During this process, expansion water drips through the safety valve. This is a necessary and normal process.

3.1 Settings

You can set any required DHW outlet temperature at the temperature selector. The heat-up indicator illuminates during the heat-up process.



- 1 Temperature selector
- 2 Heat-up indicator

Depending on the system, the actual temperatures may vary from the set value.

* = Cold. On this setting, the appliance is protected from frost. The tap, water lines and safety valve are not protected.

MAX= Highest selectable temperature

4. Cleaning, care and maintenance

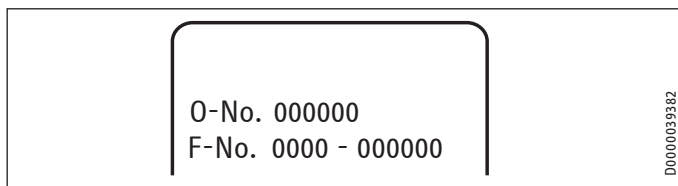
- ▶ Never use abrasive or corrosive cleaning agents. A damp cloth is sufficient for cleaning the appliance.
- ▶ Check the taps regularly. Limescale deposits at the tap outlets can be removed using commercially available descaling agents.
- ▶ Regularly activate the safety valve to prevent it from becoming blocked, e.g. by limescale deposits.
- ▶ Have the protective anode checked by a qualified contractor after the first 2 years of operation. The qualified contractor will then determine the intervals at which it must be checked thereafter.

Almost every type of water will deposit limescale at high temperatures. This settles inside the appliance and affects both the performance and service life. The heating element should therefore be descaled if necessary. A qualified contractor who is aware of the local water quality will tell you when the next descaling is due.

5. Troubleshooting

Problem	Cause	Remedy
The appliance does not supply hot water.	The temperature selector is set to "**". No power at the appliance.	Switch the appliance ON by turning the temperature selector. Check the plug / fuses in the fuse box.
Water can only be drawn at a reduced rate.	The aerator in the tap is scaled up or dirty.	Descale / replace the aerator.
Loud boiling noises inside the appliance.	The appliance is scaled up.	Have the appliance descaled by a qualified contractor.
Water drips from the safety valve after heat-up.	The safety valve is scaled up or dirty.	Switch the appliance off. Depressurise the appliance by disconnecting it from the power and water supply. Have the safety valve checked by a qualified contractor.

If you cannot remedy the fault, notify your qualified contractor. To facilitate and speed up your enquiry, please provide the serial number from the type plate. (000000):



INSTALLATION

6. Safety

Only a qualified contractor should carry out installation, commissioning, maintenance and repair of the appliance.

6.1 General safety instructions

We guarantee trouble-free function and operational reliability only if original accessories and spare parts intended for the appliance are used.

6.2 Instructions, standards and regulations



Note

Observe all applicable national and regional regulations and instructions.

7. Appliance description

The sealed unvented (pressurised) appliance is only suitable for undersink installation. The appliance is intended for heating cold water and to supply one or several draw-off points.

The appliance may only be installed with pressure taps in conjunction with a type-tested safety valve (see chapter "Installation / Appliance description / Standard delivery").

The type-tested safety valve protects the appliance against unacceptable excess pressure.

The enamelled internal steel cylinder is equipped with a protective anode. The protective anode protects the inner cylinder against corrosion.

7.1 Standard delivery

The following are delivered with the appliance:

- Wall mounting bracket
- SHC 10 | SHC 15 Stiebel**
 - Two reducers from G 1/2 to G 3/8
- SHC 10 GB Eltron | SHC 15 GB Eltron**
 - Two locking ring fittings G 1/2 x 15

7.2 Accessories

- SHC 10 | SHC 15 Stiebel**
 - Safety assembly G 1/2 (optional)

INSTALLATION

Installation

9.3 Water connection

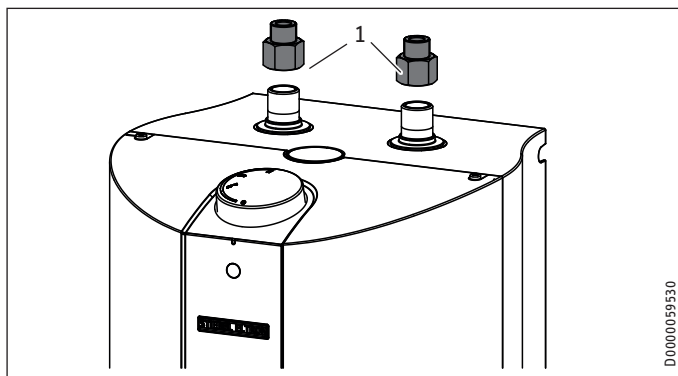
! Material losses
Carry out all water connection and installation work in accordance with regulations.

! Material losses
The appliance may lose its function.

- ▶ Never interchange the water connections.
- ▶ Set the flow rate (see tap instructions). Observe the maximum permissible flow rate with a fully opened tap (see chapter "Installation / Specification / Data table").
- ▶ Only install pressure taps in conjunction with the safety valve.

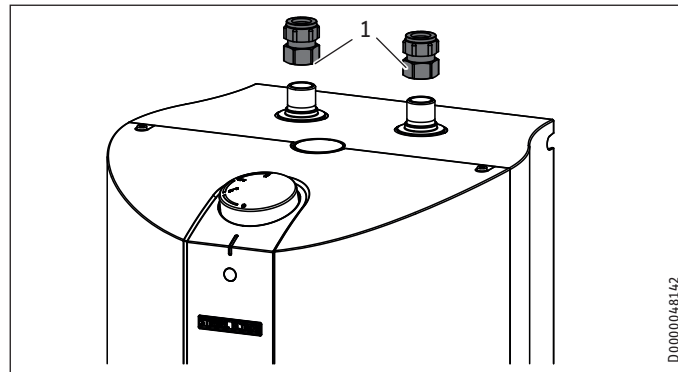
- ▶ Observe the maximum permissible pressure (see chapter "Installation / Specification / Data table").
- ▶ If necessary, fit the reducers/locking ring fittings (part of the standard delivery) to the appliance connectors:

SHC 10 | SHC 15 Stiebel



1 Reducers from G 1/2 to G 3/8

SHC 10 GB Eltron | SHC 15 GB Eltron



2 Locking ring fittings G 1/2 x 15

- ▶ Match up the colour coding on the water connections of the tap and the appliance:
 - R.h. side blue = "Cold water inlet"
 - L.h. side red = "DHW outlet"
- ▶ Secure the water connections from the tap to the appliance.

Note
Ensure that the water connections are not kinked during installation. Prevent any tensioning during installation.

9.4 Power supply

WARNING ELECTROCUTION
Carry out all electrical connection and installation work in accordance with relevant regulations.

WARNING ELECTROCUTION
When permanently connected to the power supply using a dedicated junction box, the appliance must be able to be isolated from the mains power supply by an isolator that disconnects all poles with at least 3 mm contact separation.

WARNING ELECTROCUTION
Ensure that the appliance is earthed.

! Material losses
The voltage specified on the type plate must match the mains voltage.

- ▶ Observe the type plate.

The following electrical connections are permissible:

	SHC 10	SHC 10 GB Eltron	SHC 15 Stiebel	SHC 15 GB Eltron
Connection to a freely accessible standard socket with matching plug	X	-	X	-
Permanent connection to an appliance junction box with earth conductor	X	X	X	X

INSTALLATION

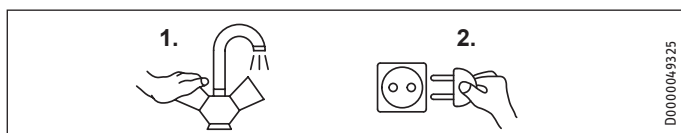
Commissioning

10. Commissioning



WARNING ELECTROCUTION
Commissioning may only be carried out by a qualified contractor in accordance with safety regulations.

10.1 Initial start-up



- ▶ Either open the DHW valve of the tap or set the mono lever mixer tap to "hot" until the water that flows out is free of air bubbles.
- ▶ Turn the temperature selector to maximum.
- ▶ Insert the plug into the standard socket or set the fuse/MCB in the fuse box.
- ▶ Check the function of the appliance. Ensure that the temperature controller switches off.
- ▶ Check that the safety valve is working correctly.
- ▶ Check the entire hydraulic installation for tightness.



Note
If you fail to follow the correct sequence (first water, then power), the high limit safety cut-out will trip. Proceed as follows:

- ▶ Make the high limit safety cut-out operational by pressing the reset button (see chapter "Installation / Troubleshooting / Activating the high limit safety cut-out").

10.1.1 Appliance handover

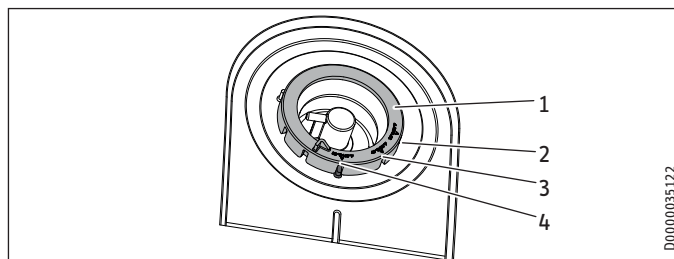
- ▶ Explain the functions of the appliance to the user. Show the user how to operate the appliance.
- ▶ Make the user aware of potential dangers, especially the risk of scalding.
- ▶ Hand over these instructions and, if applicable, the instructions for any accessories.

10.2 Recommissioning

See chapter "Installation / Commissioning / Initial start-up".

11. Settings

11.1 Setting the temperature limit



1 Limiting ring

Temperature settings:

- 2 38 °C
- 3 49 °C
- 4 65 °C

Placing the limiting ring behind the temperature selector allows you to limit the setting range of the temperature selector to a specific maximum temperature.

- ▶ Turn the temperature selector to zero (fully to "*"").
- ▶ Pull off the temperature selector and the limiting ring.
- ▶ Push the limiting ring with the required maximum setting onto the appliance cover.
- ▶ Install the temperature selector set to zero ("*").

12. Shutdown

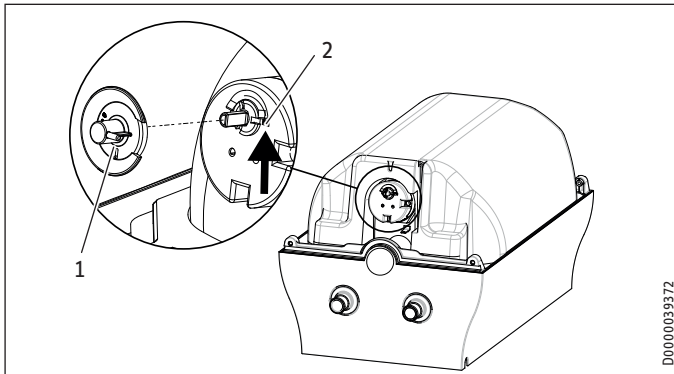
- ▶ Isolate the appliance from the power supply by removing the plug or by tripping the MCB in the fuse box.
- ▶ Drain the appliance (see chapter "Installation / Maintenance / Draining the appliance").

13. Troubleshooting

Fault	Cause	Remedy
The appliance does not supply hot water.	The high limit safety cut-out has tripped.	Remedy the cause of the fault. If necessary, replace the combined temperature controller / high limit safety cut-out. Make the high limit safety cut-out operational by pressing the reset button on the high limit safety cut-out (see chapter "Installation / Troubleshooting / Activating the high limit safety cut-out").
	The controller is faulty.	Replace the combined temperature controller / high limit safety cut-out.
	The flanged immersion heater is faulty.	Replace the flanged immersion heater.
Loud boiling noises inside the appliance.	The appliance is scaled up.	Descale the appliance.
Water drips from the safety valve after heat-up.	The safety valve is scaled up or dirty.	Clean / descale the valve seat.

13.1 Activate high limit safety cut-out

- ▶ Open the appliance (see chapter "Installation / Maintenance / Opening the appliance").
- ▶ Pull off the adaptor.
- ▶ Press the reset button on the high limit safety cut-out.
- ▶ Fit the adaptor.
- ▶ Close the appliance cover.
- ▶ Fit the limiting ring and temperature selector.



- 1 Adaptor
- 2 Reset button, high limit safety cut-out

14. Maintenance



WARNING ELECTROCUTION
Before any work on the appliance, disconnect all poles of the appliance from the power supply.

- ▶ Dismantle the appliance for maintenance work.

14.1 Checking the safety valve

- ▶ Check the function of the safety valve regularly.

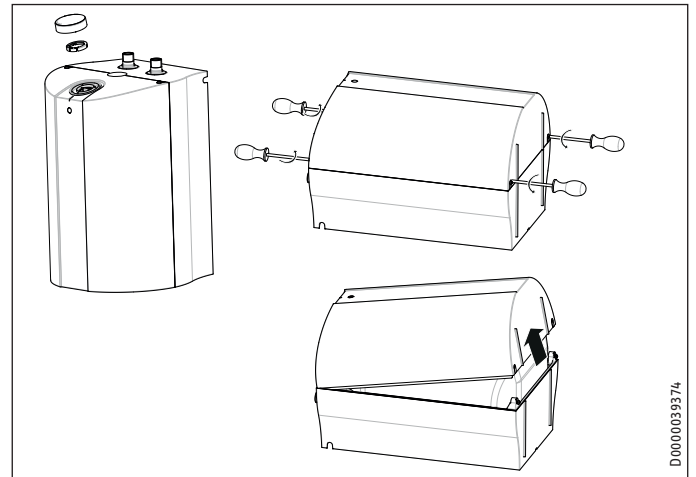
14.2 Draining the appliance



WARNING Burns
Hot water may escape during the draining process.

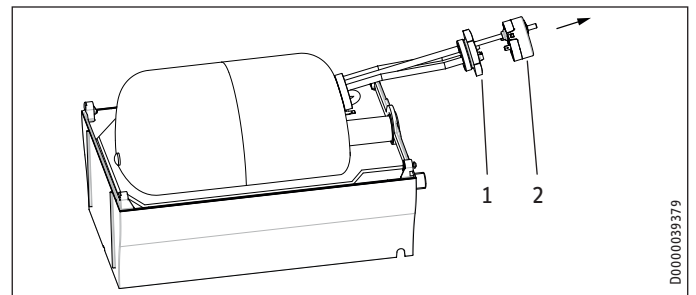
- ▶ Drain the appliance via its connectors.

14.3 Opening the appliance



- ▶ Pull off the temperature selector and the limiting ring.
- ▶ Remove the 4 screws from the casing.
- ▶ Open the appliance cover by pivoting the cover upwards and then removing it.
- ▶ Remove the upper insulation semi-shell if required.

14.4 Removing the flanged immersion heater and temperature controller / high limit safety cut-out



- 1 Flanged immersion heater
 - 2 Combined temperature controller / high limit safety cut-out
- ▶ Disconnect all wires from the combined temperature controller/high limit safety cut-out.
 - ▶ Remove the combined temperature controller / high limit safety cut-out from the flanged immersion heater.
 - ▶ Remove the flanged immersion heater.

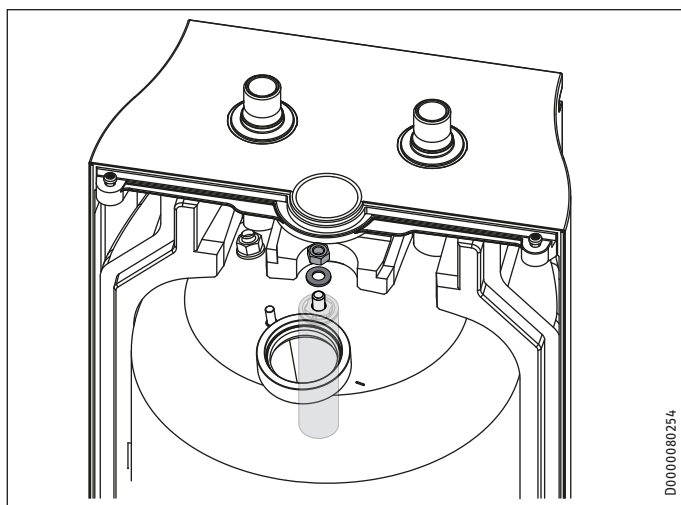
14.5 Checking the protective anode and replacing if necessary

Checking the protective anode

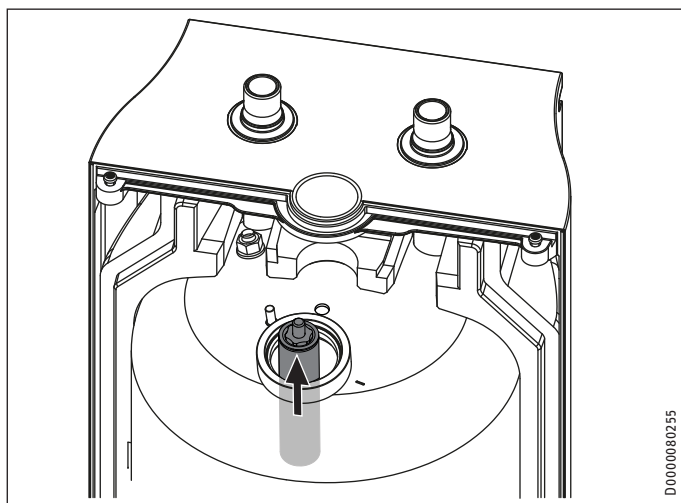
- ▶ Check the protective anode for the first time 2 years after installation. This requires removal of the flanged immersion heater. Replace the protective anode if consumed.
- ▶ Decide the intervals in which further checks should be carried out.

Replacing the protective anode

- ▶ Hold the protective anode with pliers.

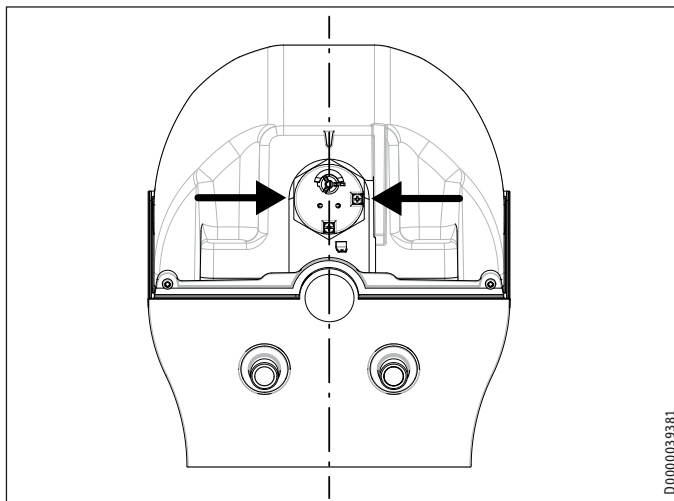


- ▶ Remove the nut.



- ▶ Remove the protective anode through the aperture for the flanged immersion heater.
- ▶ Insert a new protective anode with gasket and support ring into the tank aperture.
- ▶ Secure the protective anode with a contact washer and nut to a torque of 11 ± 1.2 Nm.

14.6 Fitting the flanged immersion heater and temperature controller / high limit safety cut-out



- ▶ Insert the flanged immersion heater into the cylinder aperture well as far as it will go.
- ▶ Push the combined temperature controller / high limit safety cut-out into the flanged immersion heater as far as it will go.
- ▶ Align the flanged immersion heater and the combined temperature controller / high limit safety cut-out in accordance with the diagram.
- ▶ Reconnect all wires in their original positions on the combined temperature controller/high limit safety cut-out.

14.7 Descaling the appliance



Material losses

Never treat the protective anode with descaling agents.

- ▶ Remove the flanged immersion heater (see chapter "Installation / Maintenance / Flanged immersion heater and temperature controller / Removing the high limit safety cut-out").
- ▶ Carefully tap the heating element to remove coarse limescale deposits.
- ▶ Immerse the heating element up to the flange plate in descaling agent.

14.8 Replacing the power cable

The power cable must only be replaced by a qualified contractor with an original spare part.

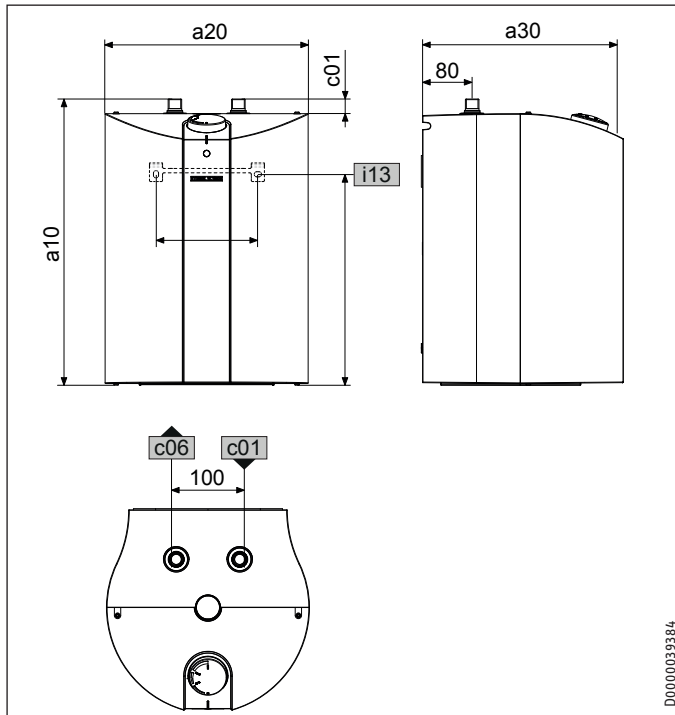
14.9 Checking the earth conductor

- ▶ Check the earth conductor (in Germany DGUV V3 for example) across a water connector and the earth conductor contact of the power cable.

15. Specification

15.1 Dimensions and connections

SHC 10 | SHC 15 Stiebel

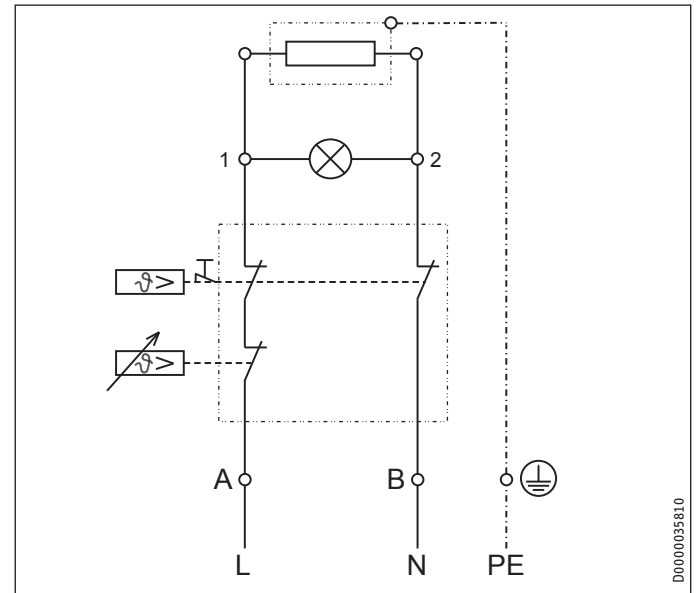


				SHC 10	SHC 10 GB Eltron
a10	Appliance	Height	mm	430	430
a20	Appliance	Width	mm	280	280
a30	Appliance	Depth	mm	270	270
c01	Cold water inlet	Male thread		G 1/2 A	G 1/2 A
		Top clearance	mm	26,5	26,5
c06	DHW outlet	Male thread		G 1/2 A	G 1/2 A
i13	Wall mounting bracket	Height	mm	320	320
		Hole spacing horizontal	mm	140	140

				SHC 15	SHC 15 GB Eltron
a10	Appliance	Height	mm	452	452
a20	Appliance	Width	mm	320	320
a30	Appliance	Depth	mm	318	318
c01	Cold water inlet	Male thread		G 1/2 A	G 1/2 A
		Top clearance	mm	23	23
c06	DHW outlet	Male thread		G 1/2 A	G 1/2 A
i13	Wall mounting bracket	Height	mm	342	342
		Hole spacing horizontal	mm	200	200

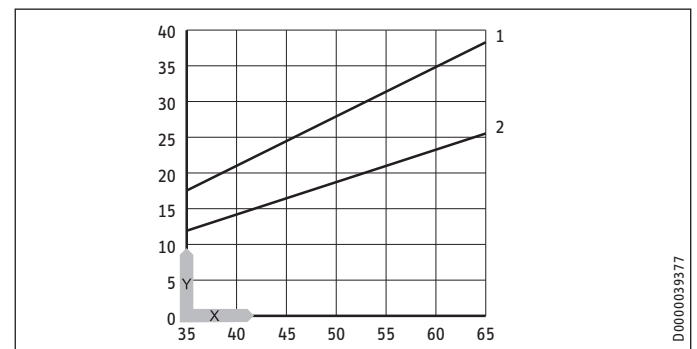
15.2 Wiring diagram

1/N/PE ~ 220-240 V



15.3 Heat-up diagram

The heat-up period depends on the degree of scaling and residual heat. For the heat-up time for a cold water supply at 10 °C and a maximum temperature setting, see the diagram.



- x Temperature in °C
- y Duration in min
- 1 15 l appliance
- 2 10 l appliance

15.4 Country-specific approvals and certifications

The test symbols can be seen on the type plate.

15.5 Extreme operating and fault conditions

In the case of faults, a peak temperature of up to 99 °C may briefly occur in the system.

INSTALLATION Specification

15.6 Details on energy consumption

Product datasheet: Conventional water heaters to regulation (EU) no. 812/2013 and 814/2013 / (S.I. 2019 No. 539 / Schedule 2)

		SHC 10 233747	SHC 10 GB Eltron 235232	SHC 15 Stiebel 234337	SHC 15 GB Eltron 234407
Manufacturer		STIEBEL ELTRON	STIEBEL ELTRON	STIEBEL ELTRON	STIEBEL ELTRON
Load profile		XXS	XXS	XXS	XXS
Energy efficiency class		A	A	A	A
Energy conversion efficiency	%	36.00	36.00	36.00	36.00
Annual power consumption	kWh	515	515	516	516
Default temperature setting	°C	55	55	55	55
Sound power level	dB(A)	15	15	15	15
Daily power consumption	kWh	2.419	2.419	2.421	2.421

15.7 Data table

		SHC 10 233747			SHC 10 GB Eltron 235232			SHC 15 Stiebel 234337			SHC 15 GB Eltron 234407		
Hydraulic data													
Nominal capacity	l	10			10			15			15		
Mixed water volume at 40 °C	l	15.3			15.3			23			23		
Electrical data													
Rated voltage	V	220	230	240	220	230	240	220	230	240	220	230	240
Rated output	kW	1.4	1.5	1.6	1.4	1.5	1.6	1.4	1.5	1.6	1.4	1.5	1.6
Rated current	A	6.2	6.5	6.8	6.2	6.5	6.8	6.2	6.5	6.8	6.2	6.5	6.8
MCB/fuse rating	A	10	10	10	10	10	10	10	10	10	10	10	10
Phases		1/N/PE			1/N/PE			1/N/PE			1/N/PE		
Frequency	Hz	50/60			50/60			50/60			50/60		
Application limits													
Temperature setting range	°C	30-65			30-65			30-65			30-65		
Max. permissible pressure	MPa	0.6			0.6			0.6			0.6		
Min. water inlet pressure	MPa	0.1			0.1			0.1			0.1		
Max. water inlet pressure	MPa	0.6			0.6			0.6			0.6		
Max. flow rate	l/min	10			10			10			10		
Energy data													
Standby energy consumption/ 24 h at 65 °C	kWh	0.48			0.48			0.49			0.49		
Energy efficiency class		A			A			A			A		
Versions													
IP rating		IP24 D			IP24 D			IP24 D			IP24 D		
Type of installation		Undersink			Undersink			Undersink			Undersink		
Type		Sealed unvented			Sealed unvented			Sealed unvented			Sealed unvented		
Internal cylinder material		Steel, enamelled			Steel, enamelled			Steel, enamelled			Steel, enamelled		
Thermal insulation material		EPS			EPS			EPS			EPS		
Casing material		PS			PS			PS			PS		
Colour		White			White			White			White		
Connections													
Water connection		G 1/2 A			G 1/2 A			G 1/2 A			G 1/2 A		
Dimensions													
Depth	mm	270			270			318			318		
Height	mm	430			430			452			452		
Width	mm	280			280			320			320		
Weights													
Weight	kg	7.2			7.2			9.0			9.0		

Guarantee

The guarantee conditions of our German companies do not apply to appliances acquired outside of Germany. In countries where our subsidiaries sell our products a guarantee can only be issued by those subsidiaries. Such guarantee is only granted if the subsidiary has issued its own terms of guarantee. No other guarantee will be granted.

We shall not provide any guarantee for appliances acquired in countries where we have no subsidiary to sell our products. This will not affect warranties issued by any importers.

Environment and recycling

We would ask you to help protect the environment. After use, dispose of the various materials in accordance with national regulations.

REMARQUES PARTICULIÈRES

UTILISATION

1. Remarques générales _____ **15**
 1.1 Consignes de sécurité _____ 15
 1.2 Autres repérages utilisés dans cette documentation _____ 15
 1.3 Unités de mesure _____ 15
2. Sécurité _____ **16**
 2.1 Utilisation conforme _____ 16
 2.2 Consignes de sécurité générales _____ 16
 2.3 Label de conformité _____ 16
3. Description de l'appareil _____ **16**
 3.1 Réglages _____ 16
4. Nettoyage, entretien et maintenance _____ **17**
5. Aide au dépannage _____ **17**

INSTALLATION

6. Sécurité _____ **17**
 6.1 Consignes de sécurité générales _____ 17
 6.2 Prescriptions, normes et directives _____ 17
7. Description de l'appareil _____ **17**
 7.1 Fournitures _____ 17
 7.2 Accessoires _____ 17
8. Travaux préparatoires _____ **18**
 8.1 Lieu de montage _____ 18
9. Montage _____ **18**
 9.1 Montage de l'appareil _____ 18
 9.2 Pose de la soupape de sécurité _____ 18
 9.3 Raccordement hydraulique _____ 19
 9.4 Raccordement électrique _____ 19
10. Mise en service _____ **20**
 10.1 Première mise en service _____ 20
 10.2 Remise en service _____ 20
11. Réglages _____ **20**
 11.1 Réglage de la limitation de température _____ 20
12. Mise hors service _____ **20**
13. Aide au dépannage _____ **21**
 13.1 Activation du limiteur de sécurité _____ 21
14. Maintenance _____ **21**
 14.1 Contrôle de la soupape de sécurité _____ 21
 14.2 Vidange de l'appareil _____ 21
 14.3 Ouverture de l'appareil _____ 21
 14.4 Dépose du corps de chauffe et du thermostat /
 limiteur de sécurité _____ 22
 14.5 Contrôler l'anode de protection et la remplacer si
 nécessaire _____ 22
 14.6 Repose du corps de chauffe et du thermostat /
 limiteur de sécurité _____ 22
 14.7 Détartrage de l'appareil _____ 23
 14.8 Remplacement du câble d'alimentation _____ 23
 14.9 Contrôle du conducteur de mise à la terre _____ 23

15. Données techniques _____ **23**
 15.1 Cotes et raccords _____ 23
 15.2 Schéma électrique _____ 24
 15.3 Courbe de chauffe _____ 24
 15.4 Homologations et certificats spécifiques au pays _____ 24
 15.5 Conditions extrêmes de fonctionnement et de
 dysfonctionnement _____ 24
 15.6 Indications relatives à la consommation énergétique _____ 25
 15.7 Tableau de données _____ 25

GARANTIE

ENVIRONNEMENT ET RECYCLAGE

REMARQUES PARTICULIÈRES

- L'appareil peut être utilisé par les enfants de 3 ans et plus ainsi que par les personnes aux facultés physiques, sensorielles ou mentales réduites ou par des personnes sans expérience lorsqu'ils sont sous surveillance ou qu'ils ont été formés à l'utilisation en toute sécurité de l'appareil et qu'ils ont compris les dangers encourus. Les enfants âgés de 3 à 8 ans ne sont autorisés à utiliser que la robinetterie connectée à l'appareil. Ne laissez pas les enfants jouer avec l'appareil. Ni le nettoyage ni la maintenance relevant de l'utilisateur ne doivent être effectués par des enfants sans surveillance.
- Quand l'appareil est connecté au réseau électrique de manière fixe, il faut pouvoir le déconnecter à l'aide d'un disjoncteur omnipolaire ayant une ouverture minimale des contacts de 3 mm.
- Seul un installateur habilité par le fabricant peut remplacer par une pièce de rechange d'origine le câble d'alimentation, en cas d'endommagement ou de remplacement.
- Fixez l'appareil comme indiqué au chapitre « Installation / Montage ».
- Tenez compte de la pression admissible maximale (voir le chapitre « Installation / Données techniques / Tableau de données »).
- Vidangez l'appareil comme indiqué au chapitre « Installation / Maintenance / Vidange de l'appareil ».

Remarques générales

- L'appareil est sous pression. Pendant la montée en température, de l'eau d'expansion s'écoule de la soupape de sécurité.
- Actionnez régulièrement la soupape de sécurité afin d'éviter tout grippage dû aux dépôts de calcaire.
- Installez une soupape de sécurité testé conforme au type de construction sur l'arrivée d'eau froide. En fonction de la pression d'alimentation, vous devrez éventuellement installer un réducteur de pression.
- La conduite de sortie doit être dimensionnée de sorte que l'eau puisse s'écouler librement lorsque la soupape de sécurité est entièrement ouverte.
- Installez la conduite de sortie de la soupape de sécurité avec une pente constante vers le bas dans un local à l'abri du gel.
- L'évacuation de la soupape de sécurité doit être ouverte à l'air libre.

UTILISATION

1. Remarques générales

Les chapitres « Remarques particulières » et « Utilisation » s'adressent aux utilisateurs de l'appareil et aux installateurs.

Le chapitre « Installation » s'adresse aux installateurs.



Remarque

Lisez attentivement cette notice avant utilisation et conservez-la soigneusement. Le cas échéant, veuillez remettre cette notice au nouvel utilisateur.

1.1 Consignes de sécurité

1.1.1 Structure des consignes de sécurité



MENTION D'AVERTISSEMENT Nature du danger
Sont indiqués ici les risques éventuellement encourus en cas de non-respect de la consigne de sécurité.
► Sont indiquées ici les mesures permettant de pallier le danger.

1.1.2 Symboles, nature du danger

Symbole	Nature du danger
	Blessure
	Électrocution
	Brûlure (brûlure, ébouillamment)

1.1.3 Mentions d'avertissement

MENTION D'AVERTISSEMENT	Signification
DANGER	Caractérise des remarques dont le non-respect entraîne de graves lésions, voire la mort.
AVERTISSEMENT	Caractérise des remarques dont le non-respect peut entraîner de graves lésions, voire la mort.
ATTENTION	Caractérise des remarques dont le non-respect peut entraîner des lésions légères ou moyennement graves.

1.2 Autres repérages utilisés dans cette documentation



Remarque

Le symbole ci-contre caractérise des remarques générales.

- Lisez attentivement les remarques.

Symbole	Signification
	Dommages matériels (dommages causés à l'appareil, dommages indirects et pollution de l'environnement)
	Recyclage de l'appareil

- Ce symbole signale une action à entreprendre. Les actions nécessaires sont décrites étape par étape.

1.3 Unités de mesure



Remarque

Sauf indication contraire, toutes les cotes sont indiquées en millimètres.

2. Sécurité

2.1 Utilisation conforme

L'appareil en circuit fermé (sous pression) a été conçu pour chauffer de l'eau sanitaire. L'appareil peut alimenter un ou plusieurs points de soutirage.

L'appareil est destiné à une utilisation domestique. Il peut être utilisé sans risques par des personnes qui ne disposent pas de connaissances techniques particulières. L'appareil peut également être utilisé dans un environnement non domestique, par exemple dans de petites entreprises, à condition que son utilisation soit du même ordre.

Tout autre emploi est considéré comme non conforme. Une utilisation conforme de l'appareil implique le respect de cette notice et de celles relatives aux accessoires utilisés.

2.2 Consignes de sécurité générales



AVERTISSEMENT Brûlure

La température de la robinetterie et de la soupape de sécurité peut dépasser 60 °C en service. Danger de brûlures à des températures de sortie supérieures à 43 °C.



AVERTISSEMENT Blessure

Le bouton de réglage de la température ne doit être retiré que par un installateur.



AVERTISSEMENT Blessure

L'appareil peut être utilisé par des enfants dès l'âge de 3 ans ainsi que par des personnes aux facultés physiques, sensorielles ou mentales réduites ou par des personnes sans expérience sous surveillance ou après formation à l'utilisation en toute sécurité de l'appareil si les dangers potentiels ont été compris. Les enfants âgés de 3 à 8 ans ne sont autorisés à utiliser que la robinetterie connectée à l'appareil. Ne laissez pas les enfants jouer avec l'appareil. Ni le nettoyage ni la maintenance relevant de l'utilisateur ne doivent être effectués par des enfants sans surveillance.

Nous recommandons d'installer un limiteur de température si des enfants ou des personnes aux facultés physiques, sensorielles ou mentales réduites utilisent l'appareil. La fonction « limitation de température » doit être réglée par l'installateur.



Dommages matériels

La protection contre le gel de l'appareil, de la tuyauterie et la robinetterie doit être assurée par l'utilisateur.



Dommages matériels

Si la conduite de sortie de la soupape de sécurité est fermée, l'eau d'expansion risque de provoquer des dommages.

► Ne fermez pas la conduite de sortie.

2.3 Label de conformité

Voir la plaque signalétique sur l'appareil.

3. Description de l'appareil

Cet appareil maintient le cubage d'eau à la température constante présélectionnée. L'appareil est automatiquement activé dès que la température à l'intérieur n'atteint plus la valeur réglée.

La température de l'eau froide étant différente selon la saison, le débit maximal d'eau mélangée et de sortie peut varier.



Remarque

L'installateur peut limiter la température au niveau de l'appareil (voir « Installation / Réglages / Réglage de la limitation de température »).

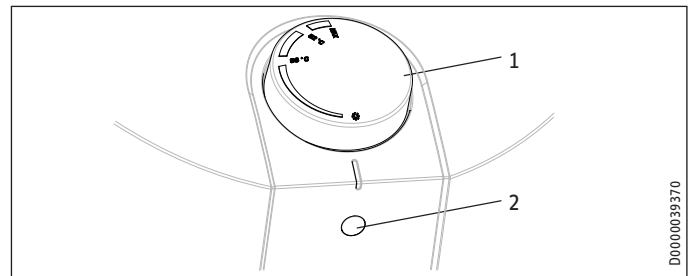


Remarque

L'appareil est soumis à la pression de l'eau. Lorsque le ballon chauffe l'eau, le volume d'eau augmente et de l'eau d'expansion s'échappe de la soupape de sécurité. Ceci est un processus nécessaire et normal.

3.1 Réglages

La température de sortie désirée de l'ECS peut être réglée en continu avec le bouton de réglage de température. Le voyant « réchauffement » s'allume en phase de réchauffement.



- 1 Bouton de réglage de température
- 2 Voyant « Réchauffement »

Il est à noter que les températures réelles peuvent différer de la valeur réglée, ceci étant inhérent au système.

* = froid. Il s'agit de la position « Protection gel » de l'appareil. La robinetterie, la tuyauterie et la soupape de sécurité ne sont pas protégées contre le gel.

MAX = température maximale réglable

4. Nettoyage, entretien et maintenance

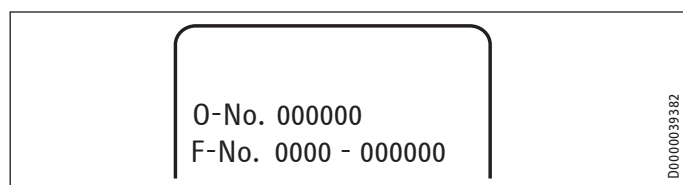
- ▶ N'utilisez ni produit de nettoyage abrasif ni solvant. Un chiffon humide suffit pour le nettoyage et l'entretien de l'appareil.
- ▶ Contrôlez régulièrement les robinetteries. Vous pouvez éliminer le tartre au niveau des becs de robinetteries avec les produits de détartrage du commerce.
- ▶ Actionnez régulièrement la soupape de sécurité afin d'éviter tout grippage dû aux dépôts de calcaire.
- ▶ Faites contrôler l'anode de protection par un installateur après 2 ans de service. L'installateur déterminera ensuite la périodicité des contrôles suivants.

Presque toutes les eaux déposent du calcaire à des températures élevées. Il se dépose dans l'appareil et affecte son fonctionnement et sa durée de vie. Les radiateurs devraient donc être détartrés, si besoin est. L'installateur qui connaît la qualité de l'eau locale vous dira quand il convient d'effectuer le prochain détartrage.

5. Aide au dépannage

Problème	Cause	Remède
L'appareil ne produit pas d'eau chaude.	Le bouton de réglage de température est réglé sur « * ». L'appareil n'est pas sous tension.	Mettez l'appareil en marche en tournant le bouton de réglage de température. Contrôlez la prise et les disjoncteurs / fusibles du tableau de répartition de la maison.
Le débit d'eau au point de soutirage est réduit.	Le régulateur de jet de la robinetterie est entartré ou encrassé.	Détartrez / remplacez le régulateur de jet.
L'appareil produit de forts bruits d'ébullition.	L'appareil est entartré.	Faites détartrer l'appareil par un installateur.
Après montée à température, de l'eau s'écoule par la soupape de sécurité.	La soupape de sécurité est entartrée ou salie.	Éteignez l'appareil. Mettez l'appareil hors pression en le débranchant de l'alimentation électrique et de l'arrivée d'eau. Faites vérifier la soupape de sécurité par un installateur.

Appelez un installateur si vous ne réussissez pas à éliminer la cause du problème. Donnez-lui le numéro indiqué sur la plaque signalétique pour qu'il puisse vous aider plus rapidement et de manière plus efficace (000000) :



INSTALLATION

6. Sécurité

L'installation, la mise en service, la maintenance et les réparations de cet équipement ne doivent être effectuées que par un installateur qualifié.

6.1 Consignes de sécurité générales

Nous ne garantissons le bon fonctionnement et la sécurité de l'appareil que si des accessoires et pièces de rechange d'origine sont utilisés.

6.2 Prescriptions, normes et directives



Remarque

Respectez la législation et les prescriptions nationales et locales en vigueur.

7. Description de l'appareil

L'appareil en circuit fermé (sous pression) est conçu exclusivement pour le montage sous évier. L'appareil est conçu pour alimenter un ou plusieurs points de soutirage d'eau chaude depuis une source d'eau froide.

L'appareil ne doit être installé qu'avec une robinetterie sous pression et une soupape de sécurité testée conforme au type de construction (voir détails au chapitre « Installation / Description de l'appareil / Fournitures »).

La soupape de sécurité testée conforme au type de construction protège l'appareil des surpressions non autorisées.

Le ballon intérieur en acier émaillé est équipé d'une anode de protection, qui protège le réservoir intérieur de la corrosion.

7.1 Fournitures

Sont fournis avec l'appareil :

- Support mural

SHC 10 | SHC 15 Stiebel

- deux réducteurs filetés de G 1/2 à G 3/8

SHC 10 GB Eltron | SHC 15 GB Eltron

- deux raccords sans soudure à visser G 1/2 x 15

7.2 Accessoires

SHC 10 | SHC 15 Stiebel

- Groupe de sécurité G 1/2 (en option)

8. Travaux préparatoires

Installation hydraulique

Une soupape de sécurité testée conforme au type de construction est requise.

Le dimensionnement de l'appareil est conçu pour une pression de 0,6 MPa. La soupape de sécurité doit empêcher que la pression à l'intérieur de la cuve ne dépasse cette pression de dimensionnement de plus de 0,1 MPa.

Robinetteries

Il ne doit être installé que des robinetteries sous pression combinées avec la soupape de sécurité.

8.1 Lieu de montage



Domages matériels

L'appareil doit impérativement être installé dans un local hors gel.



Domages matériels

Montez l'appareil au mur. Le mur doit être un mur porteur.



Domages matériels

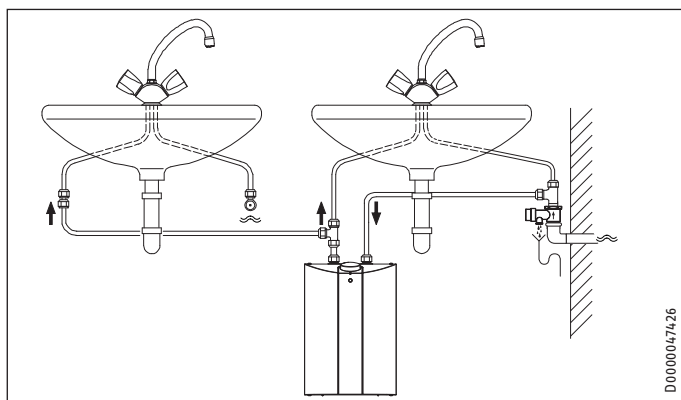
L'appareil convient uniquement au montage sous évier. Les douilles de raccordement hydraulique de l'appareil sont orientées vers le haut.



Remarque

Veillez à ce que l'appareil soit accessible pour les travaux de maintenance.

Posez l'appareil verticalement à proximité du point de soutirage.



D0000047426

9. Montage

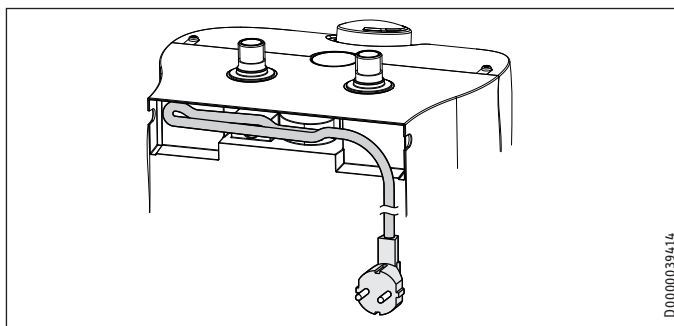
9.1 Montage de l'appareil

- ▶ Tracez les entraxes des trous sur le mur (voir le chapitre « Installation / Données techniques / Cotes et raccords »).
- ▶ Percez les trous et posez des chevilles correspondantes.
- ▶ Fixez le support mural avec des vis appropriées.
- ▶ Suspendez l'appareil au support mural.



Remarque

L'excédent du câble d'alimentation peut être entreposé dans le bac à câbles.



D0000039414

9.2 Pose de la soupape de sécurité

- ▶ Installez la soupape de sécurité sur la canalisation d'arrivée d'eau froide de l'appareil.
- ▶ La conduite de sortie doit être dimensionnée de sorte que l'eau puisse s'écouler librement lorsque la soupape de sécurité est entièrement ouverte.
- ▶ Installez la conduite de sortie de la soupape de sécurité avec une pente constante vers le bas dans un local à l'abri du gel.
- ▶ L'évacuation de la soupape de sécurité doit être ouverte à l'air libre.
- ▶ Si la pression d'alimentation est $> 0,48$ MPa, installez un réducteur de pression sur la canalisation d'arrivée d'eau froide en amont de la soupape de sécurité.

9.3 Raccordement hydraulique



Dommages matériels

Exécutez tous les travaux de raccordement et d'installation hydrauliques suivant les prescriptions.



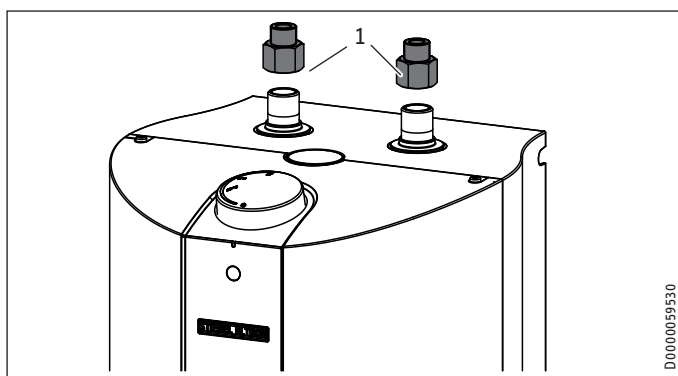
Dommages matériels

L'appareil risque de ne plus fonctionner.

- ▶ N'intervertissez pas les raccords d'eau (entrée / sortie).
- ▶ Réglez le débit (voir la notice de la robinetterie). Tenez compte du débit maximal permis avec la robinetterie grande ouverte (voir le chapitre « Installation / Données techniques / Tableau des données »).
- ▶ N'utilisez que des robinetteries à pression combinées avec la soupape de sécurité.

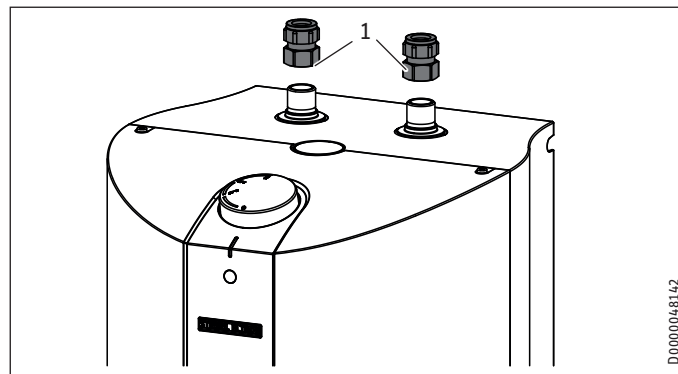
- ▶ Tenez compte de la pression admissible maximale (voir le chapitre « Installation / Données techniques / Tableau de données »).
- ▶ Si nécessaire, vissez les manchons de réduction / les raccords sans soudure sur les piquages de l'appareil:

SHC 10 | SHC 15 Stiebel



1 Réducteurs filetés de G 1/2 à G 3/8

SHC 10 GB Eltron | SHC 15 GB Eltron



1 Raccords sans soudure à visser G 1/2 x 15

- ▶ Accorder les codes couleur des raccords de la robinetterie à ceux de l'appareil :
 - Le bleu à droite = « arrivée de l'eau froide »
 - Le rouge à gauche = « sortie de l'eau chaude »
- ▶ Vissez fermement les raccords hydrauliques, allant de la robinetterie à l'appareil.



Remarque

Éviter de provoquer des flambages des raccords d'eau lors du montage. Éviter de provoquer des tensions de traction lors du montage.

9.4 Raccordement électrique



AVERTISSEMENT ÉLECTROCUTION

Exécutez tous les travaux de raccordement et d'installation électriques selon les prescriptions.



AVERTISSEMENT ÉLECTROCUTION

Quand l'appareil est connecté au réseau électrique de manière fixe, il faut pouvoir le déconnecter à l'aide d'un disjoncteur omnipolaire ayant une ouverture minimale des contacts de 3 mm.



AVERTISSEMENT ÉLECTROCUTION

Veillez à ce que l'appareil soit raccordé au conducteur de mise à la terre.



Dommages matériels

La tension figurant sur la plaque signalétique doit correspondre à la tension du réseau électrique.

- ▶ Respectez les indications de la plaque signalétique.

Les connexions électriques suivantes sont autorisées :

	SHC 10	SHC 10 GB Eltron	SHC 15 Stiebel	SHC 15 GB Eltron
Branchement sur prise secteur 2P+T facilement accessible avec fiche correspondante	X	-	X	-
Connexion fixe à une boîte de dérivation avec conducteur de mise à la terre	X	X	X	X

INSTALLATION

Mise en service

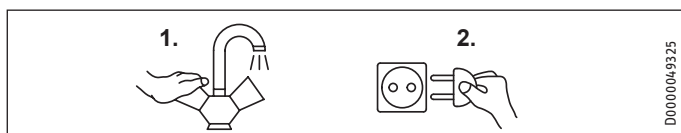
10. Mise en service



AVERTISSEMENT ÉLECTROCUTION

La mise en service doit être réalisée par un installateur en respectant les consignes de sécurité.

10.1 Première mise en service



- ▶ Ouvrez le robinet d'eau chaude de la robinetterie ou positionnez le mitigeur mono-commande sur « Chaud » jusqu'à ce que l'eau s'écoule sans bulle.
- ▶ Positionnez le bouton de réglage de la température sur maximum.
- ▶ Branchez la fiche dans la prise murale avec terre ou bien enclenchez le disjoncteur au tableau de distribution de l'habitation.
- ▶ Contrôlez le fonctionnement de l'appareil. Vérifiez la coupure par le thermostat.
- ▶ Contrôlez le bon fonctionnement de la soupape de sécurité.
- ▶ Contrôlez l'étanchéité de toute l'installation hydraulique.



Remarque

Le limiteur de sécurité de température s'enclenche quand la séquence « d'abord l'eau et ensuite le courant » n'est pas suivie.

Observez la séquence suivante :

- ▶ Réactivez le limiteur de sécurité en appuyant sur le bouton de réarmement (voir le chapitre « Installation / Dépannage / Activation du bouton de réarmement du limiteur »).

10.1.1 Remise de l'appareil au client

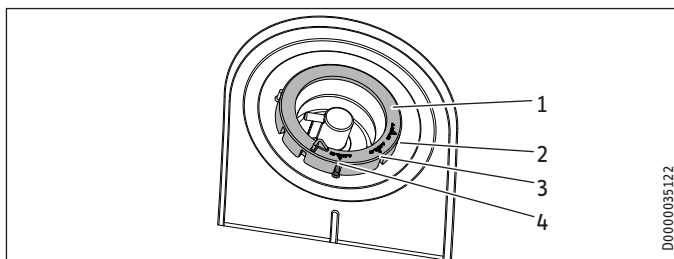
- ▶ Expliquez les différentes fonctions de l'appareil à l'utilisateur. Familiarisez-le avec le fonctionnement de l'appareil.
- ▶ Indiquez à l'utilisateur les risques encourus, notamment le danger de brûlures.
- ▶ Remise de la notice et le cas échéant, des notices des accessoires, si disponibles.

10.2 Remise en service

Voir le chapitre « Installation / Mise en service / Première mise en service ».

11. Réglages

11.1 Réglage de la limitation de température



1 Bague de limitation

Réglages de la température :

- 2 38 °C
- 3 49 °C
- 4 65 °C

Vous pouvez limiter la plage de réglage du bouton à une température maximale au moyen de la bague de limitation placée sous celui-ci.

- ▶ Tournez le bouton de réglage de température en position zéro (jusqu'à « * »).
- ▶ Retirez le bouton et la bague de limitation.
- ▶ Placez la bague de limitation à la température maximale souhaitée sur le capot.
- ▶ Montez le bouton de réglage de température en position zéro (« * »).

12. Mise hors service

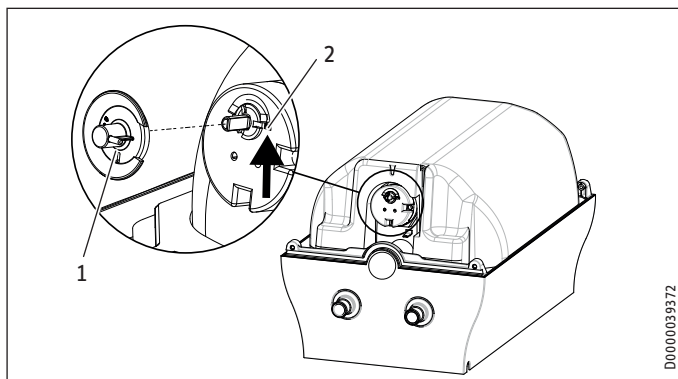
- ▶ Déconnectez l'appareil du réseau électrique en débranchant la fiche de la prise murale ou en déclenchant le disjoncteur/fusible du tableau de distribution de l'habitation.
- ▶ Vidangez l'appareil (voir le chapitre « Installation / Maintenance / Vidange de l'appareil »).

13. Aide au dépannage

Panne	Cause	Remède
L'appareil ne produit pas d'eau chaude.	Le limiteur de sécurité de température a été activé.	Supprimez l'origine de l'erreur. Le cas échéant, remplacez le combiné thermostat / limiteur de sécurité. Remettez le limiteur de sécurité en service en appuyant sur le bouton de réarmement de celui-ci (voir chapitre « Installation / Aide au dépannage / Activation du limiteur de sécurité »).
	Le régulateur est défectueux.	Remplacez le combiné thermostat / limiteur de sécurité.
	Le corps de chauffe est défectueux.	Remplacez le corps de chauffe.
L'appareil produit de forts bruits d'ébullition.	L'appareil est entartré.	Détartez l'appareil.
Après montée à température, de l'eau s'écoule par la soupape de sécurité.	La soupape de sécurité est entartrée ou salie.	Nettoyez / détartez le siège de la soupape.

13.1 Activation du limiteur de sécurité

- ▶ Ouvrez l'appareil (voir le chapitre « Installation / Maintenance / Ouverture de l'appareil »).
- ▶ Enlevez l'adaptateur.
- ▶ Appuyez sur le bouton de réarmement du limiteur de sécurité.
- ▶ Remplacez l'adaptateur.
- ▶ Fermez le capot de l'appareil.
- ▶ Remplacez la bague de limitation et le bouton de réglage de température.



- 1 Adaptateur
- 2 Bouton de réarmement du limiteur de sécurité

14. Maintenance



AVERTISSEMENT ÉLECTROCUTION

Il faut mettre l'appareil hors tension électrique avant toute intervention.

- ▶ Avant de commencer des travaux d'entretien, il faut démonter l'appareil.

14.1 Contrôle de la soupape de sécurité

- ▶ Contrôlez régulièrement la soupape de sécurité.

14.2 Vidange de l'appareil

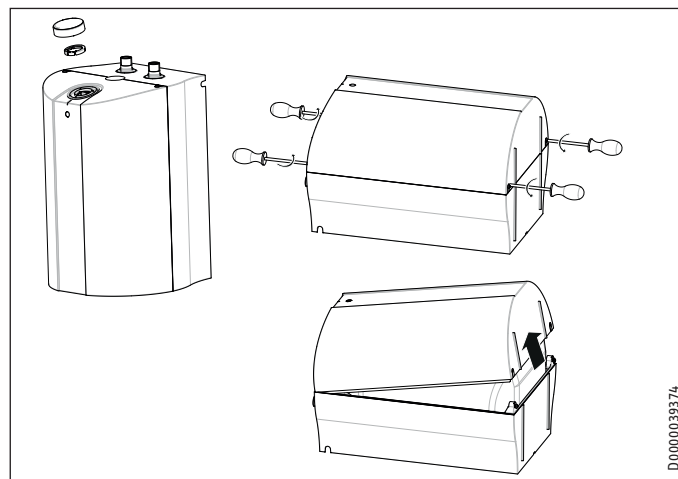


AVERTISSEMENT Brûlure

L'eau vidangée peut être très chaude.

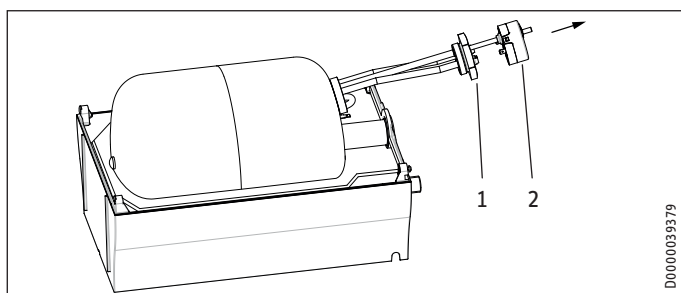
- ▶ Vidangez l'appareil via le manchon de raccordement.

14.3 Ouverture de l'appareil



- ▶ Retirez le bouton et la bague de limitation.
- ▶ Enlevez les 4 vis du boîtier.
- ▶ Ouvrez le capot en le faisant basculer vers le haut pour le retirer.
- ▶ Si nécessaire, enlevez la demi-coque supérieure de l'isolation thermique.

14.4 Dépose du corps de chauffe et du thermostat / limiteur de sécurité



D0000039379

1 Corps de chauffe

2 Combiné thermostat / limiteur de sécurité

- ▶ Débranchez tous les fils conducteurs sur le combiné thermostat / limiteur de sécurité.
- ▶ Extrayez le combiné thermostat / limiteur de sécurité du corps de chauffe.
- ▶ Démontez la bride chauffante électrique.

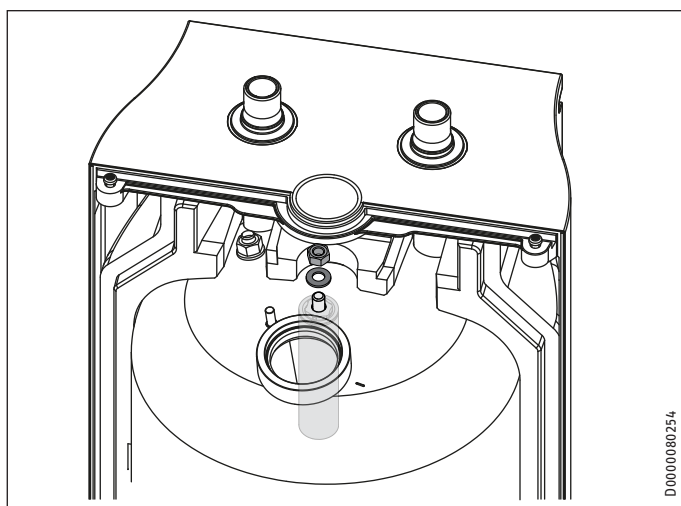
14.5 Contrôler l'anode de protection et la remplacer si nécessaire

Contrôle de l'anode de protection

- ▶ Contrôlez l'anode de protection une première fois au bout de 2 ans. À cet effet, la bride électrique doit être démontée. Si l'anode de protection est usée, il faut la remplacer.
- ▶ Déterminez ensuite la périodicité des contrôles ultérieurs.

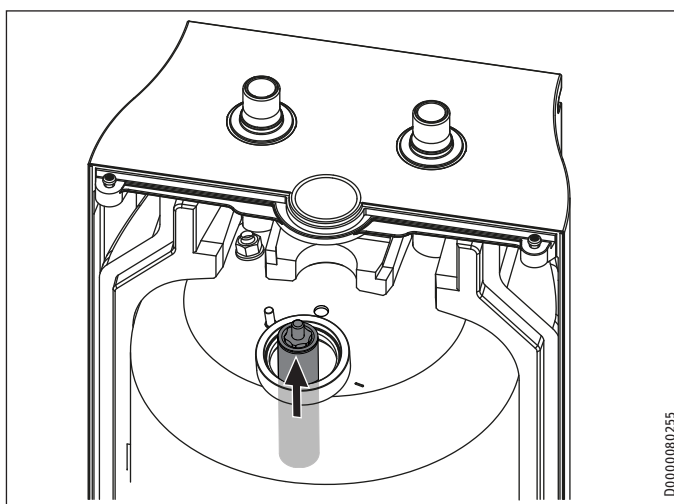
Remplacer l'anode de protection

- ▶ Fixez l'anode de protection en place avec une pince.



D0000080254

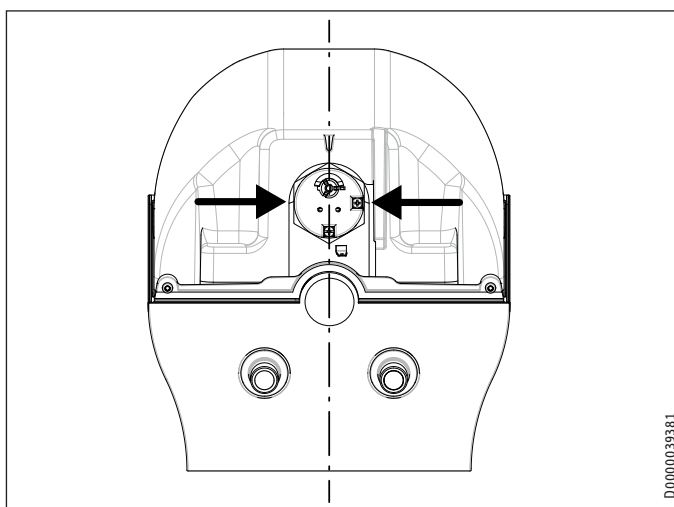
- ▶ Desserrez l'écrou.



D0000080255

- ▶ Retirez l'anode de protection par l'ouverture du corps de chauffe.
- ▶ Insérez une nouvelle anode de protection avec joint d'étanchéité et bague d'appui dans l'ouverture du réservoir.
- ▶ Fixez l'anode de protection avec une rondelle de contact et un écrou à un couple de serrage de $11 \pm 1,2$ Nm.

14.6 Repose du corps de chauffe et du thermostat / limiteur de sécurité



D0000039381

- ▶ Vissez le corps de chauffe jusqu'en butée dans l'ouverture du réservoir.
- ▶ Introduisez le combiné thermostat / limiteur de sécurité jusqu'en butée dans le corps de chauffe.
- ▶ Alignez le corps de chauffe et le combiné thermostat / limiteur de sécurité comme indiqué sur l'illustration.
- ▶ Rebranchez tous les fils conducteurs à leur position initiale sur le combiné thermostat / limiteur de sécurité.

14.7 Détartrage de l'appareil



Domages matériels

Ne traitez pas l'anode de protection avec des produits de détartrage.

- ▶ Déposez le corps de chauffe (voir chapitre « Installation / Maintenance / Dépose du corps de chauffe et du thermostat / Limiteur de sécurité »).
- ▶ Enlevez le gros du tartre du corps de chauffe en tapant dessus légèrement.
- ▶ Plongez le corps de chauffe dans le liquide de détartrage jusqu'à la bride chauffante électrique.

14.8 Remplacement du câble d'alimentation

Un installateur doit procéder au remplacement du câble d'alimentation par une pièce de rechange d'origine.

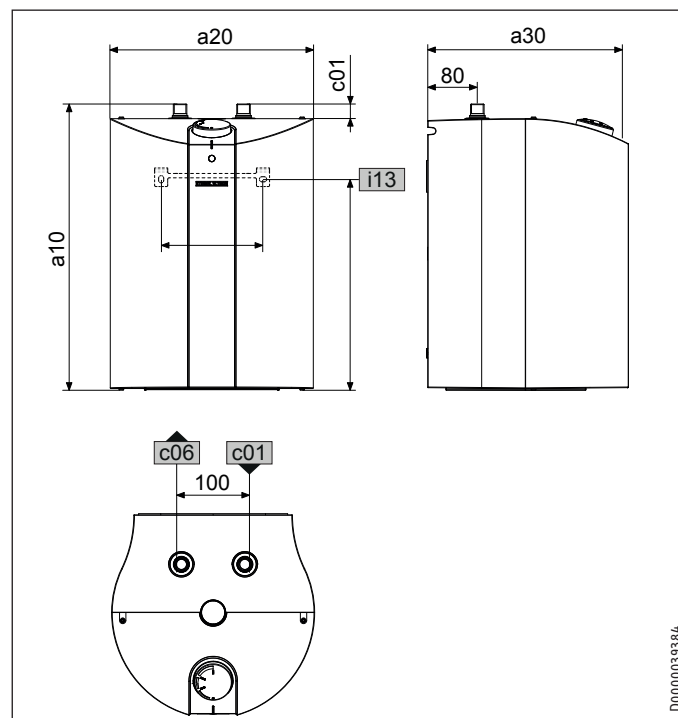
14.9 Contrôle du conducteur de mise à la terre

- ▶ Contrôlez le conducteur de mise à la terre (en Allemagne p. ex. DGUV V3) entre un piquage de l'appareil et la borne de terre du câble d'alimentation.

15. Données techniques

15.1 Cotes et raccordements

SHC 10 | SHC 15 Stiebel



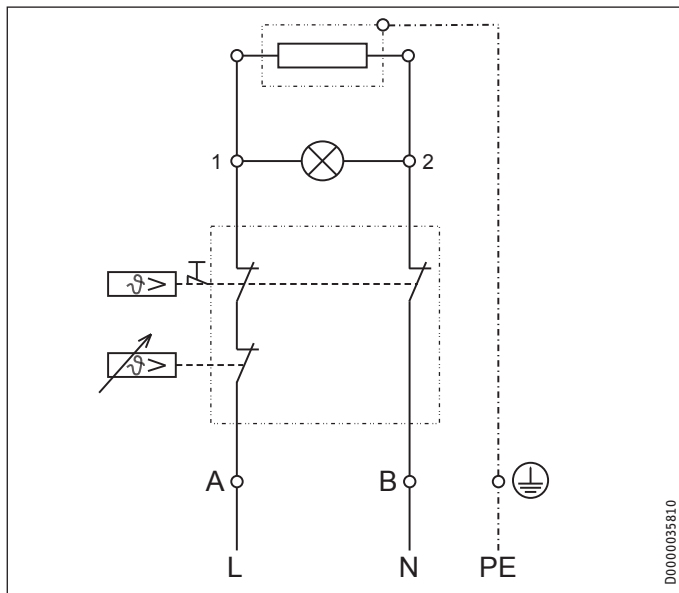
D0000039384

				SHC 10	SHC 10 GB Eltron
a10	Appareil	Hauteur	mm	430	430
a20	Appareil	Largeur	mm	280	280
a30	Appareil	Profondeur	mm	270	270
c01	Eau froide arrivée	Filetage mâle		G 1/2 A	G 1/2 A
		Dégagement en haut	mm	26,5	26,5
c06	ECS sortie	Filetage mâle		G 1/2 A	G 1/2 A
i13	Support mural	Hauteur	mm	320	320
		Écartement des trous horizontal	mm	140	140

				SHC 15	SHC 15 GB Eltron
a10	Appareil	Hauteur	mm	452	452
a20	Appareil	Largeur	mm	320	320
a30	Appareil	Profondeur	mm	318	318
c01	Eau froide arrivée	Filetage mâle		G 1/2 A	G 1/2 A
		Dégagement en haut	mm	23	23
c06	ECS sortie	Filetage mâle		G 1/2 A	G 1/2 A
i13	Support mural	Hauteur	mm	342	342
		Écartement des trous horizontal	mm	200	200

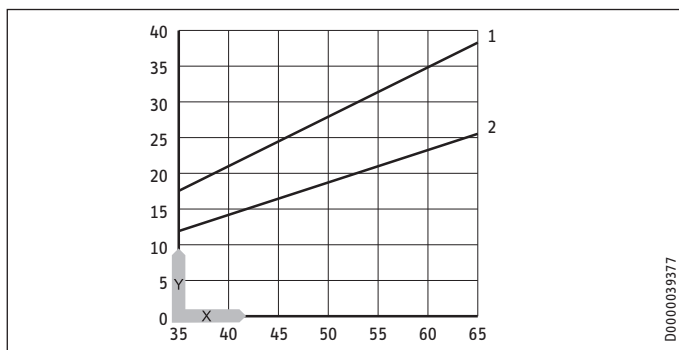
15.2 Schéma électrique

1/N/PE ~ 220-240 V



15.3 Courbe de chauffe

La durée de chauffe dépend de l'importance du dépôt de tartre et de la chaleur résiduelle. Les temps de chauffe avec une eau d'alimentation froide à 10 °C et un réglage maximal de la température sont indiqués sur la courbe de chauffe.



x Température en °C

y Durée en minutes

1 Appareil de 15 l

2 Appareil de 10 l

15.4 Homologations et certificats spécifiques au pays

Les étiquettes de conformité figurent sur la plaque signalétique.

15.5 Conditions extrêmes de fonctionnement et de dysfonctionnement

En cas de dysfonctionnement, la température à l'intérieur de l'appareil peut monter jusque 99 °C maxi.

INSTALLATION

Données techniques

15.6 Indications relatives à la consommation énergétique

Fiche produit : chauffe-eau conventionnels selon Règlement (UE) n° 812/2013 | 814/2013

		SHC 10 233747	SHC 10 GB Eltron 235232	SHC 15 Stiebel 234337	SHC 15 GB Eltron 234407
Fabricant		STIEBEL ELTRON	STIEBEL ELTRON	STIEBEL ELTRON	STIEBEL ELTRON
Profil de soutirage		XXS	XXS	XXS	XXS
Classe d'efficacité énergétique		A	A	A	A
Efficacité énergétique pour le chauffage de l'eau par conditions climatiques moyennes	%	36,00	36,00	36,00	36,00
Consommation annuelle d'électricité	kWh	515	515	516	516
Réglage d'usine de la température	°C	55	55	55	55
Niveau de puissance acoustique	dB(A)	15	15	15	15
Consommation journalière d'électricité	kWh	2,419	2,419	2,421	2,421

15.7 Tableau de données

		SHC 10 233747			SHC 10 GB Eltron 235232			SHC 15 Stiebel 234337			SHC 15 GB Eltron 234407		
Caractéristiques hydrauliques													
Capacité nominale	l	10			10			15			15		
Volume d'eau mitigée à 40 °C	l	15,3			15,3			23			23		
Caractéristiques électriques													
Tension nominale	V	220	230	240	220	230	240	220	230	240	220	230	240
Puissance nominale	kW	1,4	1,5	1,6	1,4	1,5	1,6	1,4	1,5	1,6	1,4	1,5	1,6
Intensité nominale	A	6,2	6,5	6,8	6,2	6,5	6,8	6,2	6,5	6,8	6,2	6,5	6,8
Protection	A	10	10	10	10	10	10	10	10	10	10	10	10
Phases		1/N/PE			1/N/PE			1/N/PE			1/N/PE		
Fréquence	Hz	50/60			50/60			50/60			50/60		
Limites d'utilisation													
Plage de réglage de température	°C	30-65			30-65			30-65			30-65		
Pression maxi admissible	MPa	0,6			0,6			0,6			0,6		
Pression de l'arrivée d'eau min.	MPa	0,1			0,1			0,1			0,1		
Pression de l'arrivée d'eau minimale max.	MPa	0,6			0,6			0,6			0,6		
Débit maximum	l/min	10			10			10			10		
Données énergétiques													
Consommation en veille/24 h à 65 °C	kWh	0,48			0,48			0,49			0,49		
Classe d'efficacité énergétique		A			A			A			A		
Versions													
Indice de protection (IP)		IP24 D			IP24 D			IP24 D			IP24 D		
Type de montage		Sous évier			Sous évier			Sous évier			Sous évier		
Type de construction		sous pression			sous pression			sous pression			sous pression		
Matériau du ballon intérieur		Acier émaillé			Acier émaillé			Acier émaillé			Acier émaillé		
Matériau de l'isolation thermique		PSE			PSE			PSE			PSE		
Matériau du boîtier		PS			PS			PS			PS		
Couleur		blanc			blanc			blanc			blanc		
Raccordements													
Raccordement hydraulique		G 1/2 A			G 1/2 A			G 1/2 A			G 1/2 A		
Dimensions													
Profondeur	mm	270			270			318			318		
Hauteur	mm	430			430			452			452		
Largeur	mm	280			280			320			320		
Poids													
Poids	kg	7,2			7,2			9,0			9,0		

Garantie

Les conditions de garantie de nos sociétés allemandes ne s'appliquent pas aux appareils achetés hors d'Allemagne. Au contraire, c'est la filiale chargée de la distribution de nos produits dans le pays qui est seule habilitée à accorder une garantie. Une telle garantie ne pourra cependant être accordée que si la filiale a publié ses propres conditions de garantie. Il ne sera accordé aucune garantie par ailleurs.

Nous n'accordons aucune garantie pour les appareils achetés dans des pays où aucune filiale de notre société ne distribue nos produits. D'éventuelles garanties accordées par l'importateur restent inchangées.

Environnement et recyclage

Merci de contribuer à la préservation de notre environnement. Après usage, procédez à l'élimination des matériaux conformément à la réglementation nationale.

BIJZONDERE INFO

BEDIENING

1. Algemene aanwijzingen	28
1.1 Veiligheidsaanwijzingen	28
1.2 Andere aandachtspunten in deze documentatie	28
1.3 Maateenheden	28
2. Veiligheid	28
2.1 Voorgeschreven gebruik	28
2.2 Algemene veiligheidsaanwijzingen	29
2.3 Keurmerk	29
3. Toestelbeschrijving	29
3.1 Instellingen	29
4. Reiniging, verzorging en onderhoud	30
5. Problemen verhelpen	30

INSTALLATIE

6. Veiligheid	30
6.1 Algemene veiligheidsaanwijzingen	30
6.2 Voorschriften, normen en bepalingen	30
7. Toestelbeschrijving	30
7.1 Inhoud van het pakket	30
7.2 Toebehoren	30
8. Voorbereidingen	31
8.1 Montageplaats	31
9. Montage	31
9.1 Montage van het toestel	31
9.2 Montage van de veiligheidsklep	31
9.3 Wataansluiting	32
9.4 Elektrische aansluiting	32
10. Ingebruikname	33
10.1 Eerste ingebruikname	33
10.2 Opnieuw in gebruik nemen	33
11. Instellingen	33
11.1 Temperatuurbegrenzing instellen	33
12. Buitendienststelling	33
13. Storingen verhelpen	33
13.1 Veiligheidstemperatuurbegrenzer activeren	34
14. Onderhoud	34
14.1 Veiligheidsklep controleren	34
14.2 Het toestel aftappen	34
14.3 Toestel openen	34
14.4 Verwarmingsflens en temperatuurregelaar/ veiligheidstemperatuurbegrenzer demonteren	34
14.5 Veiligheidsanode controleren en evt. vervangen	35
14.6 Verwarmingsflens en temperatuurregelaar/ veiligheidstemperatuurbegrenzer monteren	35
14.7 Toestel ontkalken	35
14.8 De aansluitkabel vervangen	35
14.9 Aardleiding controleren	35
15. Technische gegevens	36
15.1 Afmetingen en aansluitingen	36

15.2 Elektriciteitsschema	36
15.3 Opwarmdiagram	36
15.4 Plaatselijke vergunningen en certificaten	36
15.5 Extreme werkings- en storingsomstandigheden	36
15.6 Gegevens over het energieverbruik	37
15.7 Gegevenstabel	37

GARANTIE

MILIEU EN RECYCLING

BIJZONDERE INFO

- Het toestel kan door kinderen vanaf 3 jaar, alsmede door personen met verminderde fysieke, sensorische of geestelijke vermogens of met een gebrek aan ervaring en kennis gebruikt worden, wanneer er toezicht op hen gehouden wordt, of wanneer ze met betrekking tot het veilige gebruik van het toestel geïnstrueerd zijn en de gevaren die daaruit ontstaan, begrepen hebben. Kinderen van 3 tot 8 jaar mogen alleen de op het toestel aangesloten kraan bedienen. Kinderen mogen niet met het toestel spelen. Kinderen mogen zonder toezicht geen reiniging of gebruikersonderhoud uitvoeren.
- Bij vaste aansluiting op het elektriciteitsnet via een aansluitdoos moet het toestel met een afstand van minstens 3 mm op alle polen van het elektriciteitsnet kunnen worden losgekoppeld.
- De aansluitkabel mag bij beschadiging of vervanging alleen worden vervangen door een origineel onderdeel en door een installateur die daartoe door de fabrikant gemachtigd is.
- Monteer het toestel zoals beschreven in het hoofdstuk "Installatie/montage".
- Neem de maximaal toegelaten druk in acht (zie hoofdstuk "Installatie/technische gegevens/gegevenstabel").
- Tap het toestel af zoals beschreven in het hoofdstuk "Installatie/onderhoud/het toestel aftappen".
- Het toestel staat onder druk. Tijdens verwarming druppelt expansiewater uit de veiligheidsklep.
- Stel periodiek de veiligheidsklep in werking, zodat vastzitten, bijv. door kalkafzettingen, voorkomen wordt.

Algemene aanwijzingen

- Monteer een typegekeurde veiligheidsklep in de koudwateraanvoerleiding. Afhankelijk van de voedingsdruk heeft u evt. bovendien een reduceerafsluiter nodig.
- Dimensioneer de afvoerleiding op een wijze dat het water bij volledig geopende veiligheidsklep ongehinderd afgevoerd kan worden.
- Monteer de afvoerleiding van de veiligheidsklep met een constante afwaartse helling in een vorst-vrije ruimte.
- De afvoer van de veiligheidsklep moet geopend blijven naar de atmosfeer.

BEDIENING

1. Algemene aanwijzingen

De hoofdstukken "Bijzondere info" en "Bediening" zijn bedoeld voor de gebruiker van het toestel en voor de installateur.

Het hoofdstuk "Installatie" is bestemd voor de vakman.



Info

Lees deze handleiding voor gebruik zorgvuldig door en bewaar deze op een veilige plaats. Overhandig de handleiding in voorkomende gevallen aan een volgende gebruiker.

1.1 Veiligheidsaanwijzingen

1.1.1 Structuur veiligheidsaanwijzingen



TREFWOORD Soort gevaar
Hier staan mogelijke gevolgen, wanneer de veiligheidsaanwijzing wordt genegeerd.

- Hier staan maatregelen om het gevaar af te wenden.

1.1.2 Symbolen, soort gevaar

Symbool	Soort gevaar
	Letsel
	Elektrische schok
	Verbranding (verbranding, verschroeiing)

1.1.3 Trefwoorden

TREFWOORD	Betekenis
GEVAAR	Aanwijzingen die leiden tot zwaar letsel of overlijden, wanneer deze niet in acht worden genomen.
WAARSCHUWING	Aanwijzingen die kunnen leiden tot zwaar letsel of overlijden, wanneer deze niet in acht worden genomen.
VOORZICHTIG	Aanwijzingen die kunnen leiden tot middelmatig zwaar of licht letsel, wanneer deze niet in acht worden genomen.

1.2 Andere aandachtspunten in deze documentatie



Info

Algemene aanwijzingen worden aangeduid met het symbool dat hiernaast staat.

- Lees de aanwijzingsteksten grondig door.

Symbool	Betekenis
	Materiële schade (toestel-, gevolg-, milieuschade)
	Het toestel afdanken

- Dit symbool geeft aan dat u iets moet doen. De vereiste handelingen worden stapsgewijs beschreven.

1.3 Maateenheden



Info

Tenzij anders wordt vermeld, worden alle maten in millimeters aangegeven.

2. Veiligheid

2.1 Voorgeschreven gebruik

Het gesloten (drukvast) toestel is bedoeld voor de opwarming van tapwater. Het toestel kan één of meerdere tappunten voorzien.

Het toestel is bestemd voor gebruik in een huishoudelijke omgeving. Het kan veilig bediend worden door personen die daarover niet geïnstrueerd zijn. Het toestel kan eveneens buiten een huishouden gebruikt worden, bijv. in het kleinbedrijf, voor zover het op dezelfde wijze gebruikt wordt.

Elk ander gebruik geldt niet als gebruik conform de voorschriften. Tot gebruik conform de voorschriften behoort ook het in acht nemen van deze handleiding evenals de handleidingen voor het gebruikte toebehoren.

2.2 Algemene veiligheidsaanwijzingen



WAARSCHUWING verbranding
De kraan en de veiligheidsklep kunnen tijdens de werking een temperatuur van meer dan 60 °C aannemen. Bij uitlooptemperaturen van meer dan 43 °C bestaat gevaar voor brandwonden.



WAARSCHUWING letsel
Uitsluitend een installateur heeft toestemming de temperatuurinstelknop van het toestel te trekken.



WAARSCHUWING letsel
Het toestel kan door kinderen vanaf 3 jaar, alsmede door personen met verminderde fysieke, sensorische of geestelijke vermogens of met een gebrek aan ervaring en kennis gebruikt worden, wanneer er toezicht op hen gehouden wordt, of wanneer ze met betrekking tot het veilige gebruik van het toestel geïnstrueerd zijn en de gevaren die daaruit ontstaan, begrepen hebben. Kinderen van 3 tot 8 jaar mogen alleen de op het toestel aangesloten kraan bedienen. Kinderen mogen niet met het toestel spelen. Kinderen mogen zonder toezicht geen reiniging of gebruikersonderhoud uitvoeren.

Als kinderen of personen met verminderde fysieke, sensorische of geestelijke vermogens het toestel gebruiken, adviseren we een permanente temperatuurbegrenzing. De begrenzing kan door de installateur ingesteld worden.



Materiële schade
Het toestel, de waterleidingen, de veiligheidsklep en de kraan dienen door de gebruiker tegen vorst beschermd te worden.



Materiële schade
Als de afvoerleiding van de veiligheidsklep wordt gesloten, kan het expansiewater waterschade veroorzaken.
► Sluit de afvoerleiding niet af.

2.3 Keurmerk

Zie het typeplaatje op het toestel.

3. Toestelbeschrijving

Het toestel houdt de waterinhoud permanent op de ingestelde temperatuur gereed. Het toestel wordt automatisch ingeschakeld, zodra de temperatuur in het toestel lager wordt dan de ingestelde waarde.

Afhankelijk van het seizoen leveren verschillende koudwatertemperaturen verschillende maximale mengwater- en uitloopvolumes.



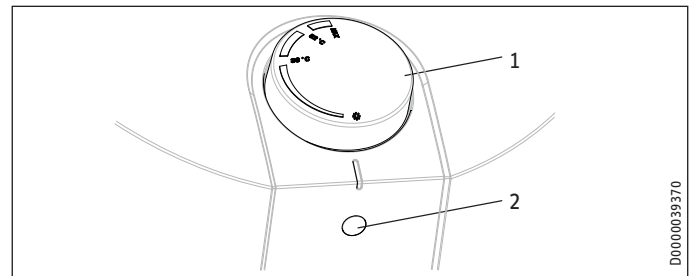
Info
De installateur kan een temperatuurbegrenzing op het toestel instellen (zie hoofdstuk: "Installatie/instellingen/temperatuurbegrenzing instellen").



Info
Het toestel staat onder druk van de waterleiding. Wanneer de boiler verwarmd wordt, neemt het watervolume toe. Het expansiewater druipt dan weg door de veiligheidsklep. Dit is een noodzakelijk en normaal proces.

3.1 Instellingen

U kunt de gewenste uitlooptemperatuur van het warm water traploos instellen met de temperatuurinstelknop. Tijdens het opwarmen is de opwarmindicator aan.



- 1 Temperatuurinstelknop
- 2 Opwarmindicator

Bepaald door het systeem kunnen de temperaturen afwijken van de gevraagde waarde.

* = Koud. Met deze instelling is het toestel beschermd tegen vorst. De kraan, de waterleidingen en de veiligheidsklep zijn niet beschermd.

MAX= Maximale insteltemperatuur

4. Reiniging, verzorging en onderhoud

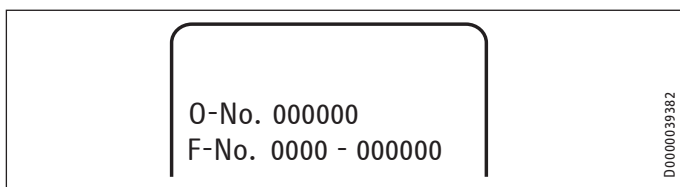
- ▶ Gebruik geen schurende reinigingsmiddelen of reinigingsmiddelen met oplosmiddelen. Een vochtige doek volstaat om het toestel te onderhouden en te reinigen.
- ▶ Controleer periodiek de kranen. Verwijder kalk op de kraanuitlopen met in de handel verkrijgbare ontkalkingsmiddelen.
- ▶ Stel periodiek de veiligheidsklep in werking, zodat vastzitten, bijv. door kalkafzettingen, voorkomen wordt.
- ▶ Laat de veiligheidsanode voor het eerst na 2 jaar door een installateur controleren. De installateur beslist vervolgens in welke intervallen een nieuwe controle nodig is.

Bijna al het water geeft kalk af bij hoge temperaturen. De kalk slaat neer in het toestel en beïnvloedt de werking en de levensduur van het toestel. De verwarmingselementen moeten daarom, indien nodig, ontkalkt worden. De installateur, die op de hoogte is van de plaatselijke waterkwaliteit, kan u vertellen wanneer het toestel moet worden ontkalkt.

5. Problemen verhelpen

Probleem	Oorzaak	Oplossing
Het toestel levert geen warm water.	De temperatuurinstelknop is ingesteld op "∞". Het toestel heeft geen spanning.	Schakel het toestel in door de temperatuurinstelknop te draaien. Controleer de stekker/de zekeringen van de huisinstallatie.
Water kan alleen met een verminderd volume worden afgetapt.	De straalregelaar in de kraan is vuil of verkalkt.	Ontkalk/vervang de straalregelaar.
Sterke kookgeluiden in het toestel.	Er heeft zich kalk afgezet in het toestel.	Laat het toestel door de installateur ontkalken.
Er druppelt water uit de veiligheidsklep na het verwarmen.	Er heeft zich kalk afgezet in de veiligheidsklep of de veiligheidsklep is vervuild.	Schakel het toestel uit. Maak het toestel drukloos door het los te koppelen van de voeding en de watertoevoer. Laat de veiligheidsklep door een installateur controleren.

Waarschuw de installateur als u de oorzaak zelf niet kunt verhelpen. Om u nog beter en sneller te kunnen helpen, deelt u hem het nummer op het typeplaatje mee (000000):



INSTALLATIE

6. Veiligheid

Installatie, ingebruikname, evenals onderhoud en reparatie van het toestel mogen alleen door een gekwalificeerde installateur uitgevoerd worden.

6.1 Algemene veiligheidsaanwijzingen

Wij waarborgen de goede werking en de bedrijfszekerheid uitsluitend bij gebruik van originele onderdelen en vervangingsonderdelen voor het toestel.

6.2 Voorschriften, normen en bepalingen



Info

Neem alle nationale en regionale voorschriften en bepalingen in acht.

7. Toestelbeschrijving

Het gesloten (drukvraste) toestel is alleen geschikt voor onderbouwmontage. Het toestel dient om koud water op te warmen voor één of meer tappunten.

Het toestel mag alleen met drukkransen en in combinatie met een typegekeurde veiligheidsklep geïnstalleerd worden (zie hoofdstuk "Installatie/toestelbeschrijving/leveringsomvang").

De typegekeurde veiligheidsklep beschermt het toestel tegen ontoelaatbare drukoverschrijdingen.

Het geëmailleerde stalen binnenreservoir is voorzien van een veiligheidsanode. De veiligheidsanode beschermt het binnenreservoir tegen corrosie.

7.1 Inhoud van het pakket

Bij het toestel wordt het volgende geleverd:

- Wandbevestiging

SHC 10 | SHC 15 Stiebel

- twee schroefdraadreductiestukken van G 1/2 naar G 3/8

SHC 10 GB Eltron | SHC 15 GB Eltron

- twee klemringschroefverbindingen G 1/2 x 15

7.2 Toebehoren

SHC 10 | SHC 15 Stiebel

- Veiligheidsgroep G 1/2 (optioneel)

8. Vorbereidingen

Waterinstallatie

Een typegekeurde veiligheidsklep is vereist.

Het toestel is gedimensioneerd voor een dimensioneringsoverdruk van 0,6 MPa. De veiligheidsklep moet voorkomen dat de waterdruk in de boiler hoger wordt dan de dimensioneringsoverdruk van 0,1 MPa.

Kranen

Er mogen alleen drukkransen in combinatie met de veiligheidsklep geïnstalleerd worden.

8.1 Montageplaats



Materiële schade

Het toestel mag alleen in een vorstvrije ruimte geïnstalleerd worden.



Materiële schade

Monteer het toestel aan de muur. De muur moet voldoende draagvermogen hebben.



Materiële schade

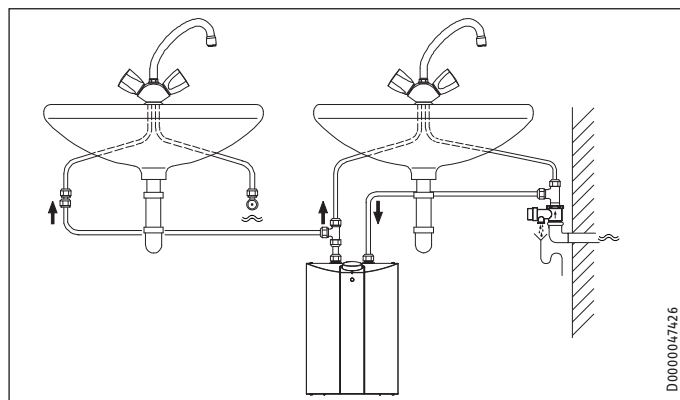
Het toestel is alleen geschikt voor onderbouwmontage. De wateraansluitingen van het toestel wijzen omhoog.



Info

Zorg ervoor dat het toestel voor herstellingswerkzaamheden vrij toegankelijk is.

Monteer het toestel verticaal en in de buurt van het tappunt.



9. Montage

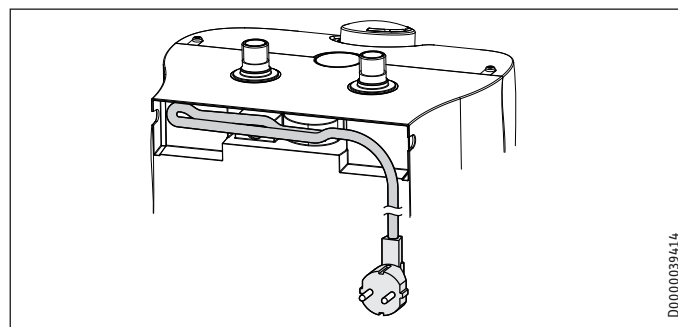
9.1 Montage van het toestel

- ▶ Teken de boorgaten af op de wand (zie hoofdstuk "Installatie/technische gegevens/afmetingen en aansluitingen").
- ▶ Boor de gaten en plaats geschikte pluggen.
- ▶ Monteer de wandbevestiging met geschikte schroeven.
- ▶ Hang het toestel aan de wandbevestiging.



Info

U kunt de overtollige aansluitkabel in het kabeldepot leggen.



9.2 Montage van de veiligheidsklep

- ▶ Installeer de veiligheidsklep in de koudwatertoevoerleiding van het toestel.
- ▶ Dimensioneer de afvoerleiding op een wijze dat het water bij volledig geopende veiligheidsklep ongehinderd afgevoerd kan worden.
- ▶ Monteer de afvoerleiding van de veiligheidsklep met een constante afwaartse helling in een vorstvrije ruimte.
- ▶ De afvoer van de veiligheidsklep moet geopend blijven naar de atmosfeer.
- ▶ Bouw bij een voedingsdruk > 0,48 MPa een reduceerventiel in voor de veiligheidsklep in de koudwatertoevoerleiding.

INSTALLATIE

Montage

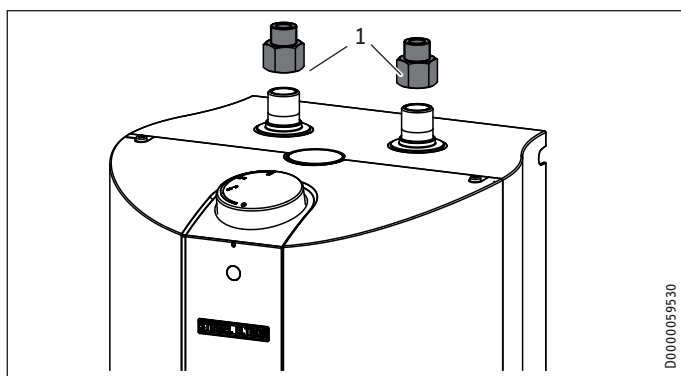
9.3 Wateraansluiting

! Materiële schade
Voer alle werkzaamheden voor wateraansluiting en installatie uit conform de voorschriften.

! Materiële schade
Het toestel kan defect raken.
 ▶ Verwissel de wateraansluitingen niet.
 ▶ Stel het debiet in (zie handleiding van de kraan).
 Houd rekening met het maximaal toegelaten debiet bij volledig geopende kraan (zie "Installatie/technische gegevens/gegevenstabel").
 ▶ Gebruik alleen drukkranen in combinatie met de veiligheidsklep.

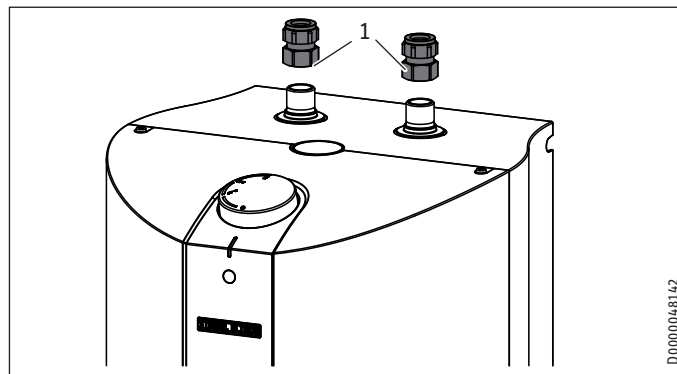
- ▶ Neem de maximaal toegelaten druk in acht (zie hoofdstuk "Installatie/technische gegevens/gegevenstabel").
- ▶ Schroef, indien nodig, de bij de meegeleverde schroefdraadreductiestukken/klemringschroefverbindingen op de aansluitpompen van het toestel:

SHC 10 | SHC 15 Stiebel



1 Schroefdraadreductiestukken van G 1/2 naar G 3/8

SHC 10 GB Eltron | SHC 15 GB Eltron



- 1 Klemringschroefverbindingen G 1/2 x 15
- ▶ Stem de kleurcode van de kraan-wateraansluitingen en van het toestel op elkaar af:
 - Rechts blauw = "Koudwatertoevoer"
 - Links rood = "Warmwateruitloop"
 - ▶ Schroef de wateraansluitingen van de kraan vast op het toestel.



Info

Let erop dat de wateraansluitingen tijdens de montage niet knikken. Vermijd trekspanning tijdens de montage.

9.4 Elektrische aansluiting



WAARSCHUWING ELEKTRISCHE SCHOK

Voer alle werkzaamheden voor elektriciteitsaansluitingen en installatie uit conform de voorschriften.



WAARSCHUWING ELEKTRISCHE SCHOK

Bij vaste aansluiting op het elektriciteitsnet via een aansluitdoos moet het toestel met een afstand van minstens 3 mm op alle polen van het elektriciteitsnet kunnen worden losgekoppeld.



WAARSCHUWING ELEKTRISCHE SCHOK

Zorg ervoor dat het toestel is aangesloten op de aardleiding.



Materiële schade

De op het typeplaatje aangegeven spanning moet overeenkomen met de netspanning.

- ▶ Neem de gegevens op het typeplaatje in acht.

De volgende elektrische aansluitmogelijkheden zijn toegelaten:

	SHC 10	SHC 10 GB Eltron	SHC 15 Stiebel	SHC 15 GB Eltron
Aansluiting op een vrij toegankelijk, geaard stopcontact met overeenkomstige stekker	X	-	X	-
Vaste aansluiting op een toestelcontactdoos met aardleiding	X	X	X	X

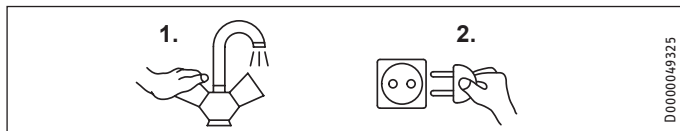
10. Ingebruikname



WAARSCHUWING ELEKTRISCHE SCHOK

De ingebruikname mag alleen uitgevoerd worden door een installateur die rekening houdt met alle veiligheidsvoorschriften.

10.1 Eerste ingebruikname



- ▶ Open de warmwaterkraan van het kraanwerk of open de eenhendel mengkraan in de stand "warm" totdat het water zonder bellen uitstroomt.
- ▶ Draai de temperatuurinstelknop naar de maximale temperatuur.
- ▶ Steek de stekker in het geaarde stopcontact of schakel de zekering van de huisinstallatie in.
- ▶ Controleer het functioneren van het toestel. Let daarbij op het uitschakelen van de thermostaat.
- ▶ Controleer de werking van het veiligheidsventiel.
- ▶ Controleer de dichtheid van alle wateraansluitingen.



Info

Wanneer de volgorde (eerst water, dan stroom) niet wordt nageleefd, treedt de veiligheidstemperatuurbegrenzer in werking.

Ga als volgt te werk:

- ▶ Druk op de resetknop om de veiligheidstemperatuurbegrenzer gereed te maken voor gebruik (zie hoofdstuk "Installatie/storingen verhelpen/veiligheidstemperatuurbegrenzer activeren").

10.1.1 Overdracht van het toestel

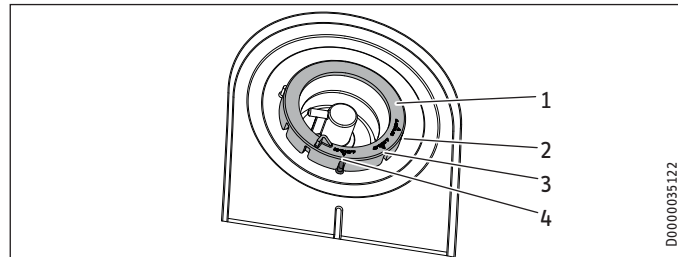
- ▶ Leg aan de gebruiker uit hoe het toestel werkt. Instrueer hem over het gebruik.
- ▶ Wijs de gebruiker op mogelijk gevaar, met name het gevaar van brandwonden.
- ▶ Overhandig deze handleiding en de handleidingen van het eventuele toebehoren.

10.2 Opnieuw in gebruik nemen

Zie hoofdstuk "Installatie/ingebruikname/eerste ingebruikname".

11. Instellingen

11.1 Temperatuurbegrenzing instellen



1 Begrenzingsring

Temperatuurinstellingen:

- 2 38 °C
- 3 49 °C
- 4 65 °C

Met behulp van de begrenzsingsring onder de temperatuurinstelknop kunt u het instelbereik van de temperatuurinstelknop tot een maximale waarde begrenzen.

- ▶ Draai de temperatuurinstelknop naar de nulstand (tot "*").
- ▶ Trek de temperatuurinstelknop en de begrenzsingsring van het toestel.
- ▶ Zet de begrenzsingsring met de gewenste maximale instelling op de bovenkap.
- ▶ Monteer de temperatuurinstelknop in de nulstand ("*").

12. Buitendienststelling

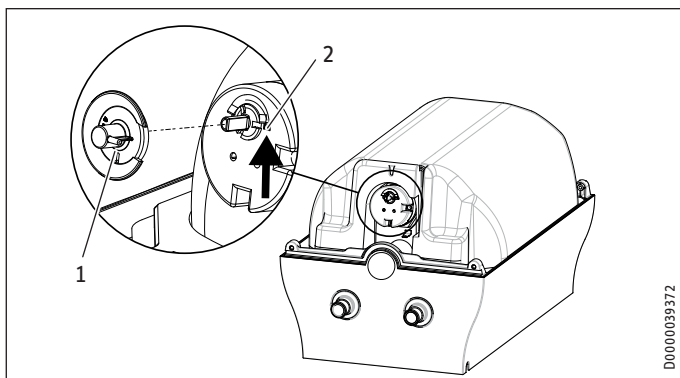
- ▶ Koppel het toestel los van het elektriciteitsnet door de stekker uit het stopcontact te trekken of de zekering van de huisinstallatie uit te schakelen.
- ▶ Tap het toestel af (zie het hoofdstuk "Installatie/onderhoud/toestel aftappen").

13. Storingen verhelpen

Storing	Oorzaak	Oplossing
Het toestel levert geen warm water.	De veiligheidstemperatuurbegrenzer is geactiveerd.	Verhelp de oorzaak van de fout. Vervang eventueel de gecombineerde temperatuurregelaar/veiligheidstemperatuurbegrenzer. Druk op de resetknop op de veiligheidstemperatuurbegrenzer om de veiligheidstemperatuurbegrenzer weer gereed te maken voor gebruik (zie hoofdstuk "Installatie/storingen verhelpen/veiligheidstemperatuurbegrenzer activeren").
	De regelaar is defect.	Vervang de gecombineerde temperatuurregelaar/veiligheidstemperatuurbegrenzer.
	De verwarmingsflens is defect.	Vervang de verwarmingsflens.
Sterke kookgeluiden in het toestel.	Er heeft zich kalk afgezet in het toestel.	Ontkalk het toestel.
Er druppelt water uit de veiligheidsklep na het verwarmen.	Er heeft zich kalk afgezet in de veiligheidsklep of de veiligheidsklep is vervuild.	Reinig/ontkalk de klepzitting.

13.1 Veiligheidstemperatuurbegrenzer activeren

- ▶ Open het toestel (zie hoofdstuk "Installatie/onderhoud/toestel openen").
- ▶ Trek de adapter eraf.
- ▶ Druk de resetknop in van de veiligheidstemperatuurbegrenzer.
- ▶ Monteer de adapter.
- ▶ Sluit de bovenkap.
- ▶ Monteer de begrenzingsring en de temperatuurinstelknop.



- 1 adapter
- 2 Resetknop veiligheidstemperatuurbegrenzer

14. Onderhoud



WAARSCHUWING ELEKTRISCHE SCHOK

Scheid alle polen van het toestel van het elektriciteitsnet voor aanvang van alle werkzaamheden.

- ▶ Demonteer het toestel bij onderhoudswerken.

14.1 Veiligheidsklep controleren

- ▶ Test regelmatig de veiligheidsklep.

14.2 Het toestel aftappen

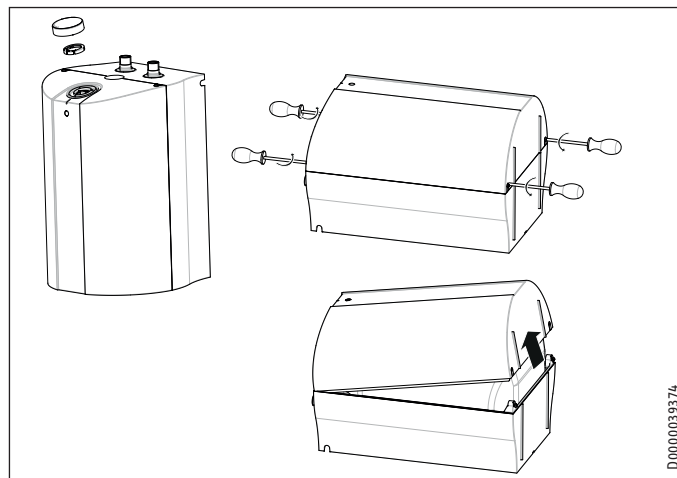


WAARSCHUWING verbranding

Tijdens het aftappen kan er heet water uit het toestel lopen.

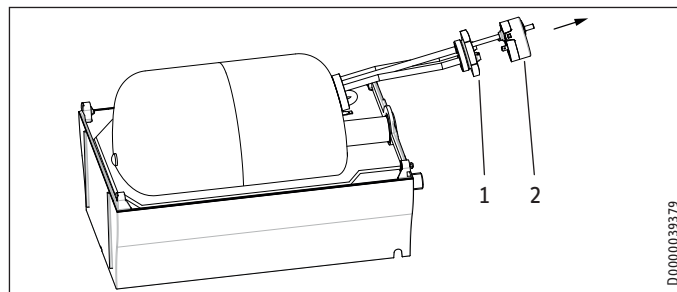
- ▶ Tap het toestel af via de aansluitstompen.

14.3 Toestel openen



- ▶ Trek de temperatuurinstelknop en de begrenzingsring van het toestel.
- ▶ Verwijder de 4 schroeven uit de behuizing.
- ▶ Open de bovenkap door de kap omhoog te klappen en af te nemen.
- ▶ Verwijder, indien nodig, de bovenste halve schaal van de isolatie.

14.4 Verwarmingsflens en temperatuurregelaar/ veiligheidstemperatuurbegrenzer demonteren



- 1 Verwarmingsflens
 - 2 Gecombineerde temperatuurregelaar/ veiligheidstemperatuurbegrenzer
- ▶ Klem alle draden aan de gecombineerde temperatuurregelaar/veiligheidstemperatuurbegrenzer af.
 - ▶ Trek de gecombineerde temperatuurregelaar/veiligheidstemperatuurbegrenzer uit de verwarmingsflens.
 - ▶ Demonteer de verwarmingsflens.

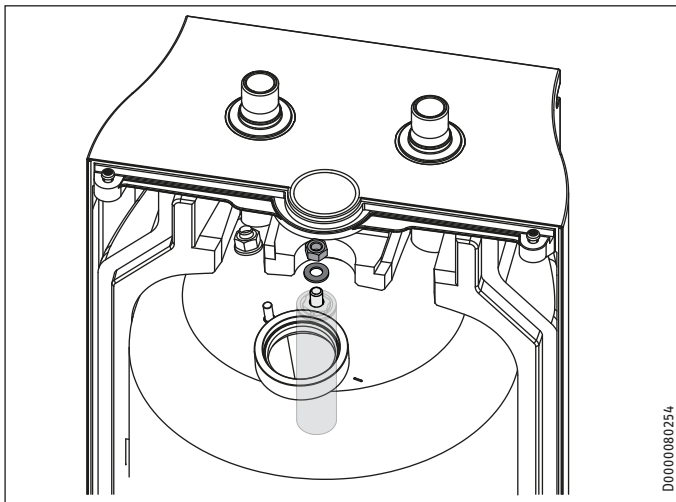
14.5 Veiligheidsanode controleren en evt. vervangen

De veiligheidsanode controleren

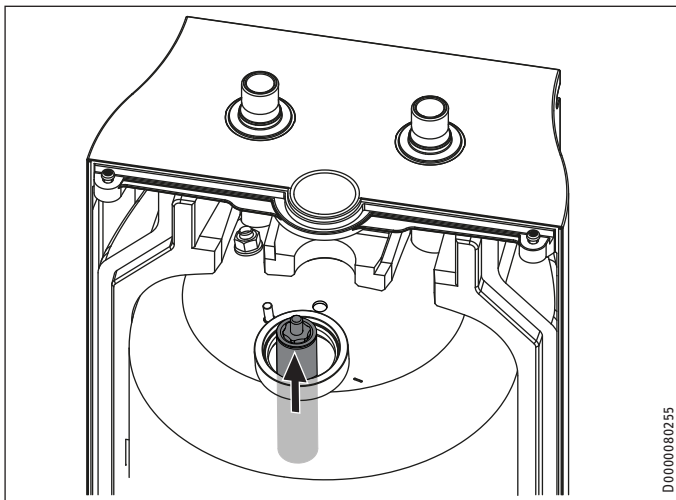
- ▶ Controleer de veiligheidsanode na 2 jaar voor de eerste keer. Hiervoor moet de verwarmingsflens worden uitgebouwd. Wanneer de veiligheidsanode is versleten, moet deze worden vervangen.
- ▶ Bepaal met welke tijdsintervallen de verdere controles uitgevoerd moeten worden.

Veiligheidsanode vervangen

- ▶ Borg de veiligheidsanode met een tang.

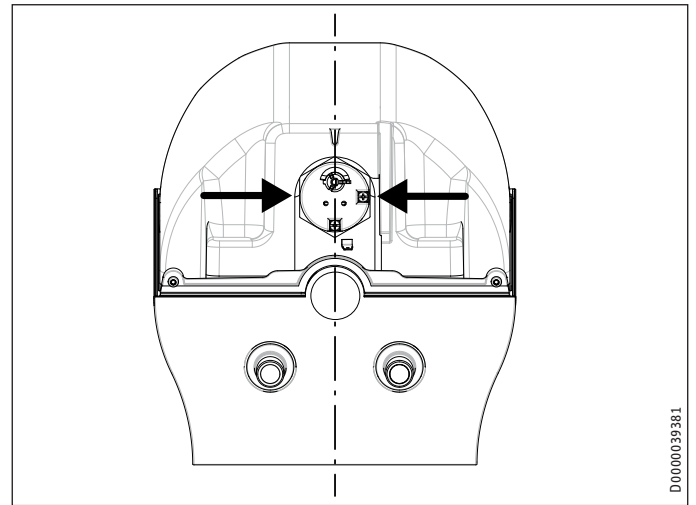


- ▶ Draai de moeren los.



- ▶ Verwijder de veiligheidsanode door de opening van de verwarmingsflens.
- ▶ Plaats een nieuwe veiligheidsanode met dichting en steuning in de reservoiropening.
- ▶ Bevestig de veiligheidsanode met contactschijf en moer met een aanzetkoppel van $11 \pm 1,2$ Nm.

14.6 Verwarmingsflens en temperatuurregelaar/veiligheidstemperatuurbegrenzer monteren



- ▶ Schroef de verwarmingsflens tot tegen de aanslag in de reservoiropening.
- ▶ Steek de gecombineerde temperatuurregelaar/veiligheidstemperatuurbegrenzer tot tegen de aanslag op de verwarmingsflens.
- ▶ Lijn de verwarmingsflens en de gecombineerde temperatuurregelaar/veiligheidstemperatuurbegrenzer uit, zoals op de afbeelding wordt getoond.
- ▶ Klem alle draden weer aan hun oorspronkelijke positie aan de gecombineerde temperatuurregelaar/veiligheidstemperatuurbegrenzer aan.

14.7 Toestel ontkalken



Materiële schade

Behandel de veiligheidsanode niet met ontkalkingsmiddelen.

- ▶ Demonteer de verwarmingsflens (zie hoofdstuk "Installatie/onderhoud/verwarmingsflens en temperatuurregelaar/veiligheidstemperatuurbegrenzer demonteren").
- ▶ Verwijder grove kalk van het verwarmingselement door voorzichtig te kloppen.
- ▶ Dompel het verwarmingselement tot aan de flensplaat in het ontkalkingsmiddel.

14.8 De aansluitkabel vervangen

De aansluitkabel mag alleen door een installateur vervangen worden door een origineel onderdeel.

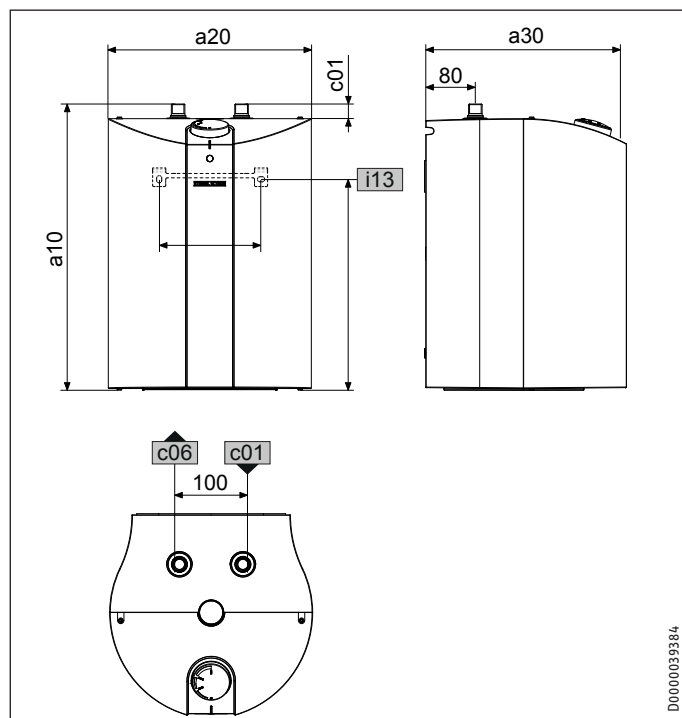
14.9 Aardleiding controleren

- ▶ Controleer de aardleiding (conform het AREI/Algemeen Reglement voor elektrische installaties) bij een wateraansluitstomp en bij het aardleidingcontact van de aansluitkabel.

15. Technische gegevens

15.1 Afmetingen en aansluitingen

SHC 10 | SHC 15 Stiebel



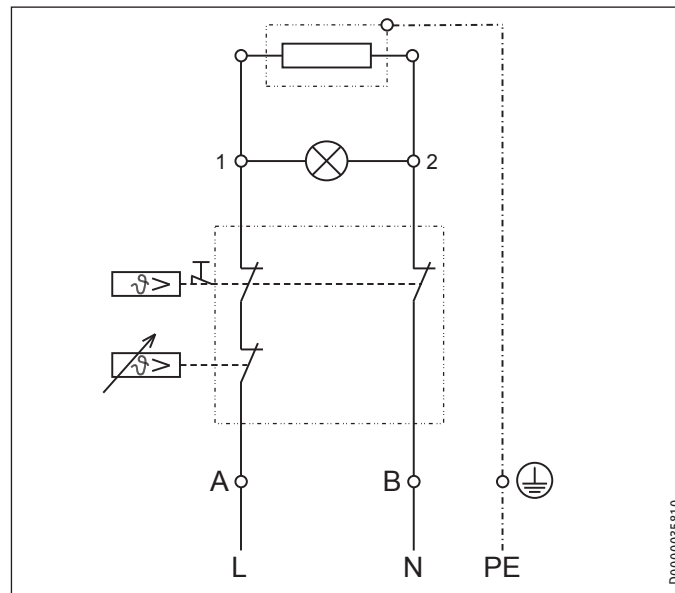
D0000039384

				SHC 10	SHC 10 GB Eltron
a10	Toestel	Hoogte	mm	430	430
a20	Toestel	Breedte	mm	280	280
a30	Toestel	Diepte	mm	270	270
c01	Koudwatertoevoer	Buitenschroefdraad		G 1/2 A	G 1/2 A
		afstand bovenaan	mm	26,5	26,5
c06	Warmwateruitloop	Buitenschroefdraad		G 1/2 A	G 1/2 A
i13	Wandophanging	Hoogte	mm	320	320
		Afstand gaten horizontaal	mm	140	140

				SHC 15	SHC 15 GB Eltron
a10	Toestel	Hoogte	mm	452	452
a20	Toestel	Breedte	mm	320	320
a30	Toestel	Diepte	mm	318	318
c01	Koudwatertoevoer	Buitenschroefdraad		G 1/2 A	G 1/2 A
		afstand bovenaan	mm	23	23
c06	Warmwateruitloop	Buitenschroefdraad		G 1/2 A	G 1/2 A
i13	Wandophanging	Hoogte	mm	342	342
		Afstand gaten horizontaal	mm	200	200

15.2 Elektriciteitsschema

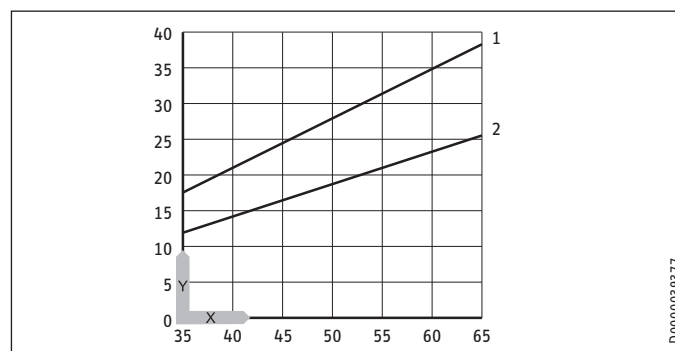
1/N/PE ~ 220 V - 240 V



D0000035810

15.3 Opwarmdiagram

Het opwarmdiagram is afhankelijk van de verkalking en van de restwarmte. De opwarmtijd bij een koudwatertoevoer van 10 °C en maximale temperatuurinstelling vindt u in het diagram.



D0000039377

- x Temperatuur in °C
- y Duur in min
- 1 15 l-toestel
- 2 10 l-toestel

15.4 Plaatselijke vergunningen en certificaten

De keurmerken zijn vermeld op het typeplaatje.

15.5 Extreme werkings- en storingsomstandigheden

In geval van een storing kan in de installatie kortstondig een temperatuur van maximaal 99 °C optreden.

15.6 Gegevens over het energieverbruik

Productgegevensblad: Conventionele warmwaterbereider volgens verordening (EU) nr. 812/2013 | 814/2013

		SHC 10 233747	SHC 10 GB Eltron 235232	SHC 15 Stiebel 234337	SHC 15 GB Eltron 234407
Fabrikant		STIEBEL ELTRON	STIEBEL ELTRON	STIEBEL ELTRON	STIEBEL ELTRON
Taprofiel		XXS	XXS	XXS	XXS
Energieklasse		A	A	A	A
Energetisch rendement	%	36,00	36,00	36,00	36,00
Jaarlijks stroomverbruik	kWh	515	515	516	516
Temperatuurinstelling af fabriek	°C	55	55	55	55
Geluidsniveau	dB(A)	15	15	15	15
Dagelijks stroomverbruik	kWh	2,419	2,419	2,421	2,421

15.7 Gegevenstabel

		SHC 10 233747			SHC 10 GB Eltron 235232			SHC 15 Stiebel 234337			SHC 15 GB Eltron 234407		
Hydraulische gegevens													
Nominale inhoud	l	10			10			15			15		
Mengwatervolume 40 °C	l	15,3			15,3			23			23		
Elektrische gegevens													
Nominale spanning	V	220	230	240	220	230	240	220	230	240	220	230	240
Nominaal vermogen	kW	1,4	1,5	1,6	1,4	1,5	1,6	1,4	1,5	1,6	1,4	1,5	1,6
Nominale stroom	A	6,2	6,5	6,8	6,2	6,5	6,8	6,2	6,5	6,8	6,2	6,5	6,8
Zekering	A	10	10	10	10	10	10	10	10	10	10	10	10
Fasen		1/N/PE			1/N/PE			1/N/PE			1/N/PE		
Frequentie	Hz	50/60			50/60			50/60			50/60		
Werkingsgebied													
Temperatuurinstelbereik	°C	30-65			30-65			30-65			30-65		
Max. toegelaten druk	MPa	0,6			0,6			0,6			0,6		
Min. inlaatwaterdruk	MPa	0,1			0,1			0,1			0,1		
Max. inlaatwaterdruk	MPa	0,6			0,6			0,6			0,6		
Max. doorstroomvolume	l/min	10			10			10			10		
Energiegegevens													
Energieverbruik in stand-by/24 uur bij 65 °C	kWh	0,48			0,48			0,49			0,49		
Energieklasse		A			A			A			A		
Uitvoeringen													
Beschermingsgraad (IP)		IP24 D			IP24 D			IP24 D			IP24 D		
Montagetype		onderbouw			onderbouw			onderbouw			onderbouw		
Uitvoering		gesloten			gesloten			gesloten			gesloten		
Materiaal binnenreservoir		Geëmailleerd staal			Geëmailleerd staal			Geëmailleerd staal			Geëmailleerd staal		
Materiaal isolatie		EPS			EPS			EPS			EPS		
Materiaal behuizing		PS			PS			PS			PS		
Kleur		wit			wit			wit			wit		
Aansluitingen													
Wateraansluiting		G 1/2 A			G 1/2 A			G 1/2 A			G 1/2 A		
Afmetingen													
Diepte	mm	270			270			318			318		
Hoogte	mm	430			430			452			452		
Breedte	mm	280			280			320			320		
Gewichten													
Gewicht	kg	7,2			7,2			9,0			9,0		

Garantie

Voor toestellen die buiten Duitsland zijn gekocht, gelden de garantievoorwaarden van onze Duitse ondernemingen niet. Bovendien kan in landen waar één van onze dochtermaatschappijen verantwoordelijk is voor de verkoop van onze producten, alleen garantie worden verleend door deze dochtermaatschappij. Een dergelijk garantie wordt alleen verstrekt, wanneer de dochtermaatschappij eigen garantievoorwaarden heeft gepubliceerd. In andere situaties wordt er geen garantie verleend.

Voor toestellen die in landen worden gekocht waar wij geen dochtermaatschappijen hebben die onze producten verkopen, verlenen wij geen garantie. Een eventueel door de importeur verzekerde garantie blijft onverminderd van kracht.

Milieu en recycling

Wij verzoeken u ons te helpen ons milieu te beschermen. Doe de materialen na het gebruik weg overeenkomstig de nationale voorschriften.

- Nainstalujte pojistný ventil schváleného konstrukčního vzoru na přívodní potrubí studené vody. V závislosti na napájecím tlaku budete případně navíc potřebovat redukční ventil.
- Odtok dimenzujte tak, aby v případě zcela otevřeného pojistného ventilu mohla voda plynule odtékat.
- Namontujte odtokové potrubí pojistného ventilu s plynulým spádem v nezamrzající místnosti.
- Odtok pojistného ventilu musí zůstat otevřený do atmosféry.

OBSLUHA

1. Obecné pokyny

Kapitoly „Zvláštní pokyny“ a „Obsluha“ jsou určeny uživateli přístroje a instalačním technikům.

Kapitola „Instalace“ je určena instalačním technikům.



Upozornění

Dříve, než zahájíte provoz, si pozorně přečtěte tento návod a pečlivě jej uschovejte. Případně předejte návod dalšímu uživateli.

1.1 Bezpečnostní pokyny

1.1.1 Struktura bezpečnostních pokynů



UVOZUJÍCÍ SLOVO - Druh nebezpečí

Zde jsou uvedeny možné následky nedodržení bezpečnostních pokynů.

► Zde jsou uvedena opatření k odvrácení nebezpečí.

1.1.2 Symboly, druh nebezpečí

Symbol	Druh nebezpečí
	Úraz
	Úraz elektrickým proudem
	Popálení (popálení, opaření)

1.1.3 Uvozující slova

UVOZUJÍCÍ SLOVO	Význam
NEBEZPEČÍ	Pokyny, jejichž nedodržení má za následek vážné nebo smrtelné úrazy.
VÝSTRAHA	Pokyny, jejichž nedodržení může mít za následek vážné nebo smrtelné úrazy.
POZOR	Pokyny, jejichž nedodržení může mít za následek středně vážné nebo lehké úrazy.

1.2 Jiné symboly použité v této dokumentaci



Upozornění

Obecné pokyny jsou označeny symbolem zobrazeným vedle.

► Texty upozornění čtěte pečlivě.

Symbol	Význam
	Věcné škody (poškození přístroje, následné škody, poškození životního prostředí)
	Likvidace přístroje

► Tento symbol vás vyzývá k určitému jednání. Potřebné úkony jsou popsány po jednotlivých krocích.

1.3 Měrné jednotky



Upozornění

Pokud není uvedeno jinak, jsou všechny rozměry uvedeny v milimetrech.

2. Zabezpečení

2.1 Správné používání

Tlakový přístroj je určen k ohřevu pitné vody. Přístroj může zásobovat jedno nebo několik odběrných míst.

Přístroj je určen k použití v domácnostech. Mohou jej tedy bezpečně obsluhovat neškolené osoby. Lze jej používat i mimo domácnosti, např. v drobném průmyslu, pokud je provozován stejným způsobem jako v domácnostech.

Jiné použití nebo použití nad rámec daného rozsahu je považováno za použití v rozporu s určením. K použití v souladu s určením patří také dodržování tohoto návodu a návodů k používanému příslušenství.

2.2 Všeobecné bezpečnostní pokyny



VÝSTRAHA popálení
 Armatura a pojistný ventil mohou během provozu dosáhnout teploty vyšší než 60 °C.
 Pokud je teplota na výtoku vyšší než 43 °C, hrozí nebezpečí opaření.



VÝSTRAHA úraz
 Tlačítko regulátoru teploty smí demontovat pouze odborník.



VÝSTRAHA úraz
 Přístroj smí používat děti od 3 let a osoby se sníženými fyzickými, sensorickými nebo mentálními schopnostmi nebo s nedostatkem zkušeností a znalostí pouze pod dozorem nebo po poučení o bezpečném používání přístroje, a poté, co porozuměly nebezpečí, které z jeho používání plyne. Děti ve věku od 3 do 8 let mohou obsluhovat pouze armaturu připojenou ke spotřebiči. Nenechávejte děti, aby si s přístrojem hrály. Čištění a uživatelskou údržbu nesmějí provádět děti bez dozoru.

Pokud přístroj používají děti nebo osoby s omezeními tělesnými, sensorickými nebo duševními schopnostmi, doporučujeme trvalé omezení teploty. Omezení může nastavit autorizovaný servis.



Věcné škody
 Uživatel musí přístroj, vodovodní potrubí, pojistný ventil a armaturu chránit před mrazem.



Věcné škody
 Pokud je odtokové potrubí pojistného ventilu uzavřeno, může expandovaná voda způsobit škody.
 ► Odtokové potrubí nezavírejte.

2.3 Kontrolní symbol

Viz typový štítek na přístroji.

3. Popis přístroje

Přístroj trvale udržuje vodu na nastavené teplotě. Přístroj se automaticky zapíná v okamžiku, kdy teplota v přístroji klesne pod nastavenou hodnotu.

Podle ročního období dochází v závislosti na různé teplotě studené vody k rozdílu mezi maximálním množstvím smíšené a odebírané vytékající vody.



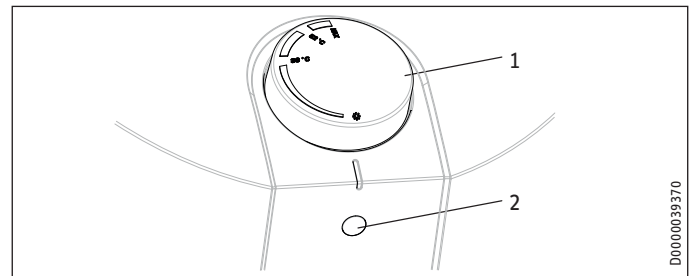
Upozornění
 Autorizovaný servis může nastavit omezení teploty na přístroji (viz „Instalace / Nastavení / Nastavení omezení teploty“).



Upozornění
 Přístroj je vystaven tlaku z vodovodního potrubí. Při zahřívání zásobníku se zvětšuje objem vody. Rozpínající se voda přitom odkapává z pojistného ventilu. To je nezbytný a běžný jev.

3.1 Nastavení

Požadovanou výstupní teplotu vody můžete plynule nastavovat tlačítkem regulátoru teploty. Během ohřívání svítí ukazatel ohřevu.



- 1 Regulátor teploty
- 2 Ukazatel ohřevu

Následkem podmínek v systému se mohou teploty lišit od požadovaných hodnot.

* = studená. Při tomto nastavení je přístroj chráněn před zamrznutím. Armatura, vodovodní potrubí a pojistný ventil nejsou chráněny.

MAX= maximální nastavitelná teplota

4. Čištění, péče a údržba

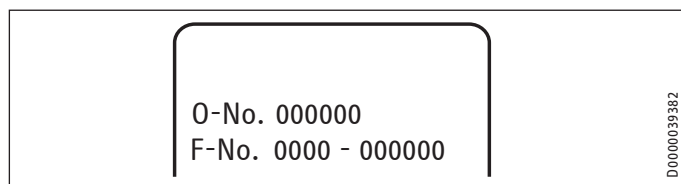
- ▶ Nepoužívejte abrazivní čisticí prostředky nebo prostředky obsahující rozpouštědla. K ošetřování a údržbě přístroje stačí vlhká textilie.
- ▶ Kontrolujte pravidelně armatury. Vodní kámen na výtocích z armatur odstraňte běžnými prostředky k odstranění vodního kamene.
- ▶ Pravidelně otáčejte hlavičkou pojistného ventilu, abyste zabránili jeho zablokování usazeninami vodního kamene.
- ▶ Instalátér musí poprvé po 2 letech zkontrolovat ochrannou anodu. Na základě kontroly instalátér rozhodne, v jakých časových intervalech je nutná další kontrola.

Téměř v každé vodě se při vyšších teplotách vylučuje vápník. Ten se v přístroji usazuje a ovlivňuje funkci a životnost přístroje. Proto musíte podle potřeby provést odstranění vodního kamene z topných těles. Autorizovaný servis, který zná kvalitu místní vody, stanoví termín dalšího odstranění vodního kamene.

5. Odstranění problémů

Problém	Příčina	Odstranění
Přístroj nedodává horkou vodu.	Knoflík regulátoru teploty je nastavený na „*“. Výpadek napájení přístroje.	Přístroj zapněte otočením regulátoru teploty. Zkontrolujte konektor / pojistky domovní instalace.
Voda teče v menším množství.	Regulátor průtoků v armatuře je zanesen vodním kamenem nebo je znečištěn.	Odstraňte vodní kámen / vyměňte usměrňovač toku vody.
Velmi hlučný ohřev přístroje.	Přístroj je zanesen vodním kamenem.	Předejte přístroj autorizovanému servisu k odstranění vodního kamene.
Po ohřevu odkapává z pojistného ventilu voda.	Pojistný ventil je zanesen vodním kamenem nebo je znečištěn.	Vypněte přístroj. Uvolněte z přístroje tlak odpojením přístroje od napájení a od přívodu vody. Nechejte pojistný ventil zkontrolovat v autorizovaném servisu.

Pokud nelze příčinu odstranit, kontaktujte odborníka. Aby vám mohl rychleji a účinněji pomoci, sdělte mu číslo z typového štítku (000000):



INSTALACE

6. Zabezpečení

Instalaci, uvedení do provozu, údržbu a opravy přístroje smí provádět pouze odborník.

6.1 Všeobecné bezpečnostní pokyny

Řádnou funkci a spolehlivý provoz lze zaručit pouze v případě použití původního příslušenství a originálních náhradních dílů určených pro tento přístroj.

6.2 Předpisy, normy a ustanovení



Upozornění

Dodržujte všechny národní a místní předpisy a ustanovení.

7. Popis přístroje

Tlakový přístroj je vhodný pouze k montáži pod odběrné místo. Ohřivač vody je určen k napájení jednoho nebo několika odběrných míst teplou vodou.

Přístroj smíte instalovat pouze s tlakovými armaturami a spolu s pojistným ventilem (viz kapitola „Instalace / Popis přístroje / Rozsah dodávky“).

Tato konstrukčně ověřená bezpečnostní skupina chrání přístroj před nepřipustným překročením tlaku.

Smaltovaná vnitřní ocelová nádrž je vybavena ochrannou anodou. Ochranná anoda chrání vnitřní nádrž před korozí.

7.1 Rozsah dodávky

Spolu s přístrojem je dodáváno:

- Zavěšení na zed'

SHC 10 | SHC 15 Stiebel

- 2x redukci (G 1/2 na G 3/8)

SHC 10 GB Eltron | SHC 15 GB Eltron

- 2x Šroubení se svěřacím kroužkem G 1/2 x 15

7.2 Příslušenství

SHC 10 | SHC 15 Stiebel

- Bezpečnostní skupina G 1/2 (volitelně)

8. Příprava

Vodovodní instalace

Nainstalujte pojistný ventil schváleného konstrukčního vzoru na přívodní potrubí studené vody.

Přístroj je dimenzován na jmenovitý přetlak 0,6 MPa. Pojistný ventil musí zabránit tomu, aby tlak vody v nádrži překročil hodnotu jmenovitého přetlaku o více než 0,1 MPa.

Armatury

Ve spojení s pojistným ventilem smějí být instalovány pouze tlakové armatury.

8.1 Místo montáže



Věcné škody

Instalaci přístroje smíte provést pouze v místnosti chráněné před mrazem.



Věcné škody

Namontujte přístroj na stěnu. Stěna musí mít dostatečnou nosnost.



Věcné škody

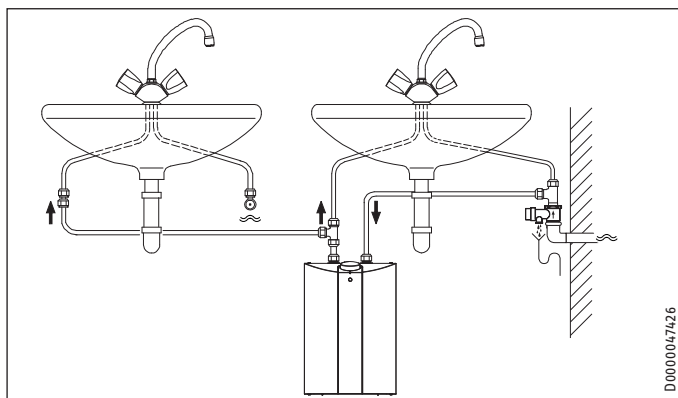
Přístroj je vhodný jen k montáži pod odběrné místo. Přípojky vody k přístroji směřují nahoru.



Upozornění

Pamatujte, že přístroj musí být volně přístupný pro údržbu.

Přístroj montujte ve svislé poloze v blízkosti odběrného místa.



9. Montáž

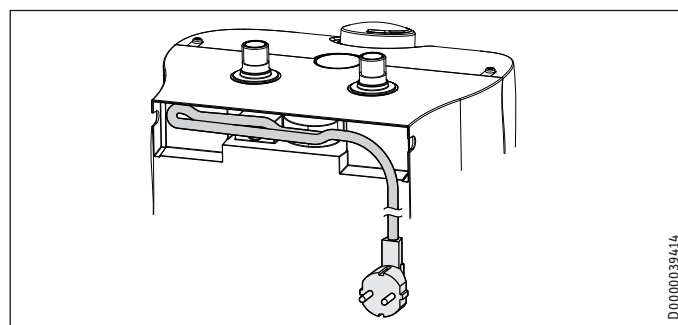
9.1 Montáž přístroje

- ▶ Přeneste rozměry vrtaných otvorů na stěnu (viz kapitola „Instalace / Technické údaje / Rozměry a přípojky“).
- ▶ Vyvrtejte příslušné otvory a vložte do nich vhodné hmoždinky.
- ▶ Upevněte konzolu na zeď vhodnými šrouby.
- ▶ Zavěste přístroj na nástěnnou konzolu.



Upozornění

Přebytečný přívodní kabel můžete uložit do úložného prostoru pro kabel.



D0000039414

9.2 Montáž pojistného ventilu

- ▶ Pojistný ventil instalujte do přívodu studené vody přístroje.
- ▶ Odtok dimenzujte tak, aby v případě zcela otevřeného pojistného ventilu mohla voda plynule odtékat.
- ▶ Namontujte odtokové potrubí pojistného ventilu s plynulým spádem v nezamrzající místnosti.
- ▶ Odtok pojistného ventilu musí zůstat otevřený do atmosféry.
- ▶ Při napájecím tlaku > 0,48 MPa namontujte redukční ventil do přívodního vedení studené vody před pojistný ventil.

9.3 Vodovodní přípojka



Věcné škody

Veškeré vodovodní přípojky a instalace provádějte podle předpisů.

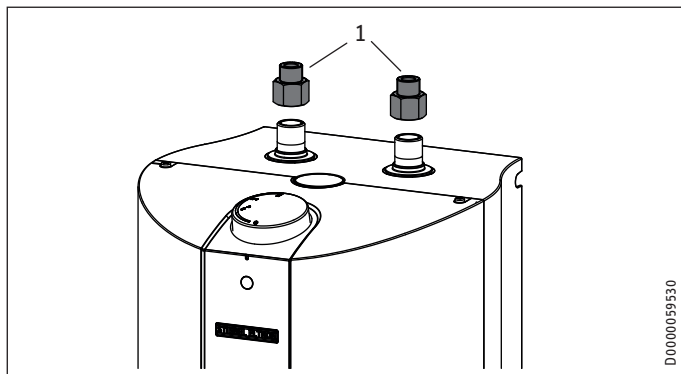


Věcné škody

- ▶ Přístroj může být nefunkční.
- ▶ Nezaměňujte přípojky vody.
- ▶ Nastavte průtokové množství (viz návod k armatuře). Přitom dbejte na maximální přípustné průtokové množství při zcela otevřené armatuře (viz kapitola „Instalace / Technické údaje / Tabulka údajů“).
- ▶ Ve spojení s pojistným ventilem používejte pouze tlakové armatury.

- ▶ Dodržujte maximální dovolený tlak (viz kapitola „Instalace / Technické údaje / Tabulka s technickými údaji“).
- ▶ Podle potřeby našroubujte redukce závitů / šroubení svěřacího kroužku, které patří do rozsahu dodávky, na přípojovací hrda přístroje.

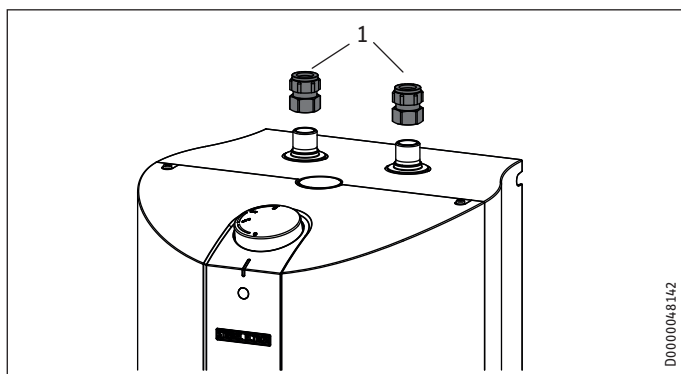
SHC 10 | SHC 15 Stiebel



D0000059530

1 Redukcí (G 1/2 na G 3/8)

SHC 10 GB Eltron | SHC 15 GB Eltron



D0000048142

1 Šroubení se svěracím kroužkem G 1/2 x 15

- ▶ Přiřadte dle barevného označení přípojky vody na armatuře a na přístroji.
 - Vpravo modrá = „Přítok studené vody“
 - Vlevo červená = „Výtok teplé vody“
- ▶ Pevně přišroubujte vodovodní přípojky armatury k přístroji.



Upozornění

Dbejte na to, aby se přípojky vody při montáži neohnuly. Při montáži zabraňte tahovému namáhání.

9.4 Připojení elektrického napětí



VÝSTRAHA ELEKTRICKÝ PROUD

Veškerá elektrická zapojení a instalace provádějte podle předpisů.



VÝSTRAHA ELEKTRICKÝ PROUD

Přístroj musí být možné v případě pevného připojení k síti odpojit od sítě na všech pólech na vzdálenost nejméně 3 mm.



VÝSTRAHA ELEKTRICKÝ PROUD

Pamatujte, že přístroj musí být připojen k ochrannému vodiči.



Věcné škody

Napětí uvedené na typovém štítku se musí shodovat se sítovým napětím.

▶ Dodržujte údaje uvedené na typovém štítku.

Jsou přípustné následující možnosti elektrického připojení:

	SHC 10	SHC 10 GB Eltron	SHC 15 Stiebel	SHC 15 GB Eltron
Připojení k volně přístupné zásuvce s ochranným kontaktem s odpovídající zástrčkou	X	-	X	-
Pevné připojení k přípojné krabici přístroje s ochranným vodičem	X	X	X	X

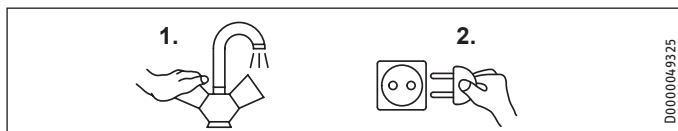
10. Uvedení do provozu



VÝSTRAHA ELEKTRICKÝ PROUD

Uvedení do provozu smí provádět pouze odborník při dodržení bezpečnostních předpisů.

10.1 První uvedení do provozu



- ▶ Otevřete ventil teplé vody na armatuře nebo nastavte pákovou baterii na „teplou“, dokud není zajištěn plynulý proud vody.
- ▶ Otočte regulátor teploty na maximální teplotu.
- ▶ Zástrčku zasuňte do zásuvky s ochranným kontaktem nebo zapněte pojistku ve vnitřní instalaci.
- ▶ Zkontrolujte funkci přístroje. Dávejte přitom pozor na vypnutí regulátoru teploty.
- ▶ Zkontrolujte funkci pojistného ventilu.
- ▶ Zkontrolujte těsnost veškerého vodovodního těsnění.



Upozornění

Pokud nebude dodrženo správné pořadí (nejprve voda, potom el. proud), aktivuje se bezpečnostní omezovač teploty.

Postupujte takto:

- ▶ Uvedte bezpečnostní omezovač teploty do pohotovostního režimu stisknutím tlačítka Reset (viz kapitola „Instalace / Odstraňování poruch / Aktivace bezpečnostního omezovače teploty“).

10.1.1 Předání přístroje

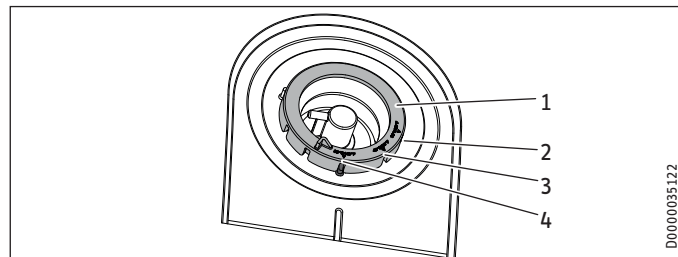
- ▶ Vysvětlete uživateli funkci přístroje. Seznamte jej s obsluhou.
- ▶ Upozorněte uživatele na možná rizika, především na nebezpečí opaření.
- ▶ Předajte tento návod a návody k případnému příslušenství.

10.2 Opětné uvedení do provozu

Viz kapitolu „Instalace / Uvedení do provozu / První uvedení do provozu“.

11. Nastavení

11.1 Nastavení omezení teploty



1 Vymezovací prstenec

Nastavení teploty:

- 2 38 °C
- 3 49 °C
- 4 65 °C

Omezovacím kroužkem pod knoflíkem regulátoru teploty lze rozsah nastavení knoflíku regulátoru teploty omezit na maximální teplotu.

- ▶ Knoflík regulátoru teploty otočte do nulové polohy („*“).
- ▶ Vytáhněte tlačítko regulátoru teploty a vyjměte vymezovací prstenec.
- ▶ Omezovací kroužek s požadovaným maximálním nastavením nasadte na víko přístroje.
- ▶ Knoflík regulátoru teploty namontujte v nulové poloze („*“).

12. Uvedení mimo provoz

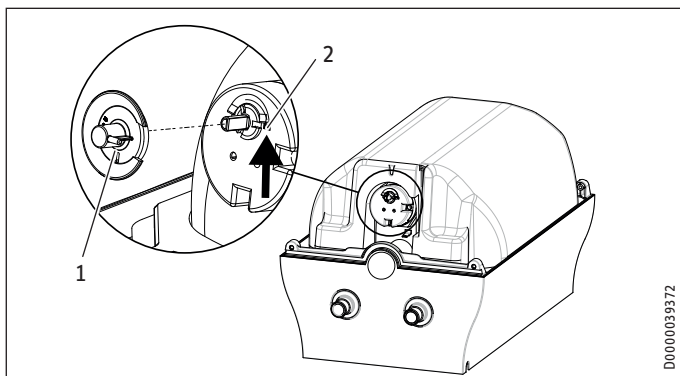
- ▶ Přístroj odpojte od elektrické sítě vytažením zástrčky nebo vypnutím pojistky ve vnitřní instalaci.
- ▶ Vypusťte vodu z přístroje (viz kapitola „Instalace / Údržba / Vypuštění přístroje“).

13. Odstraňování poruch

Závada	Příčina	Odstranění
Přístroj nedodává horkou vodu.	Zareagoval bezpečnostní omezovač teploty.	Odstraňte příčinu závady. V případě potřeby vyměňte kombinovaný regulátor teploty / bezpečnostní omezovač teploty. Uvedte bezpečnostní omezovač teploty opět do pohotovostního režimu stisknutím tlačítka Reset na bezpečnostním omezovači teploty (viz kapitola „Instalace / Odstraňování poruch / Aktivace bezpečnostního omezovače teploty“).
	Regulátor je vadný.	Vyměňte kombinaci regulátor teploty / bezpečnostní omezovač teploty.
	Vadná topná příruba.	Vyměňte topnou přírubu.
Velmi hlučný ohřev přístroje.	Přístroj je zanesen vodním kamenem.	Odvápněte přístroj.
Po ohřevu odkapává z pojistného ventilu voda.	Pojistný ventil je zanesen vodním kamenem nebo je znečištěný.	Vyčistěte / zbvte vodního kamene sedlo ventilu.

13.1 Aktivace bezpečnostního omezovače teploty

- ▶ Otevřete přístroj (viz kapitola „Instalace / Údržba / Otevření přístroje“).
- ▶ Stáhněte adaptér.
- ▶ Stiskněte tlačítko Reset bezpečnostního omezovače teploty.
- ▶ Namontujte adaptér.
- ▶ Uzavřete kryt přístroje.
- ▶ Namontujte omezovací kroužek a regulátor teploty.



- 1 Adaptér
- 2 Tlačítko Reset bezpečnostního omezovače teploty

14. Údržba



VÝSTRAHA ELEKTRICKÝ PROUD

Při všech činnostech odpojte přístroj na všech pólech od elektrické sítě.

- ▶ Během údržby přístroj demontujte.

14.1 Kontrola pojistného ventilu

- ▶ Pojistný ventil kontrolujte pravidelně.

14.2 Vypuštění přístroje

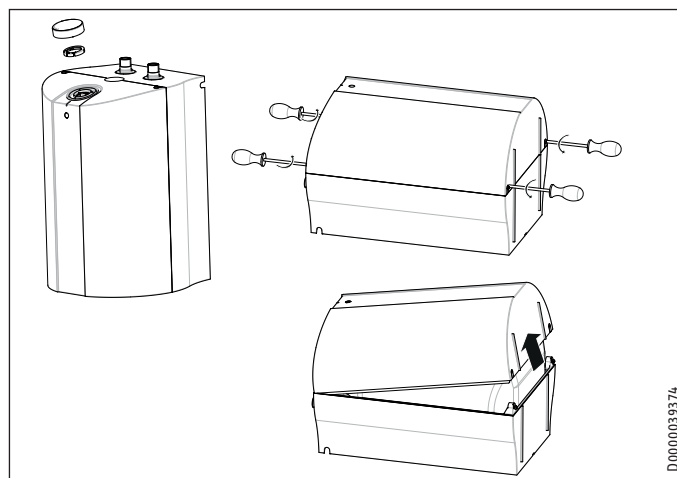


VÝSTRAHA popálení

Při vypouštění může vytékat horká voda.

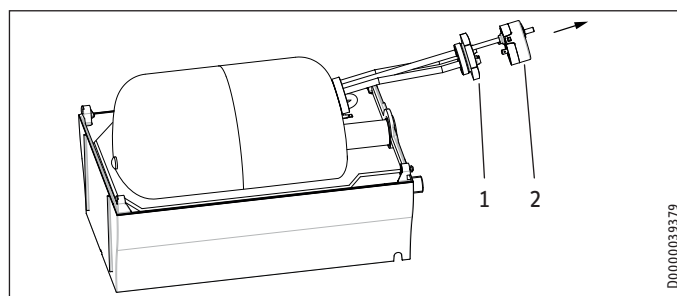
- ▶ Vypusťte vodu z přístroje připojovacím hrdlem.

14.3 Otevření přístroje



- ▶ Vytáhněte tlačítko regulátoru teploty a vyjměte vymeovací prstenec.
- ▶ Z krytu vyšroubujte 4 šrouby.
- ▶ Otevřete víko přístroje jeho vyklopením a sejmutím.
- ▶ V případě potřeby vyjměte horní polovinu tepelné izolace.

14.4 Demontujte topnou přírubu a regulátor teploty / bezpečnostní omezovač teploty



- 1 Topná příruba
 - 2 Kombinovaný regulátor teploty / bezpečnostní omezovač teploty
- ▶ Odpojte všechny žíly na kombinovaném regulátoru teploty / bezpečnostním omezovači teploty.
 - ▶ Z topné příruby vyjměte kombinovaný regulátor teploty / bezpečnostní omezovač teploty.
 - ▶ Demontujte topnou přírubu.

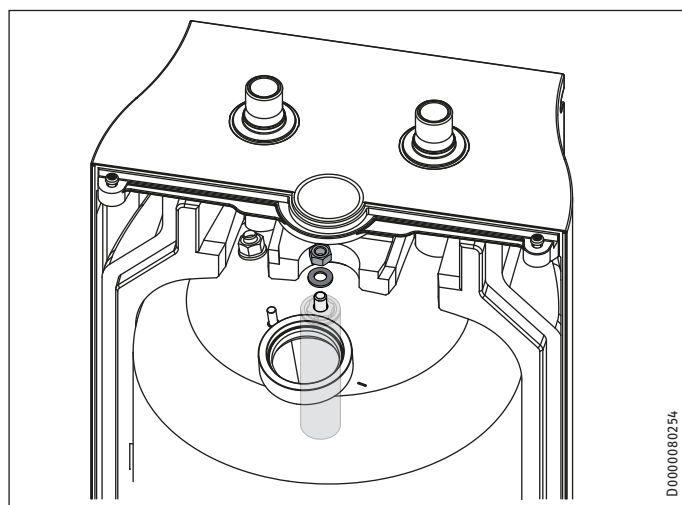
14.5 Kontrola a případně výměna ochranné anody

Kontrola ochranné anody

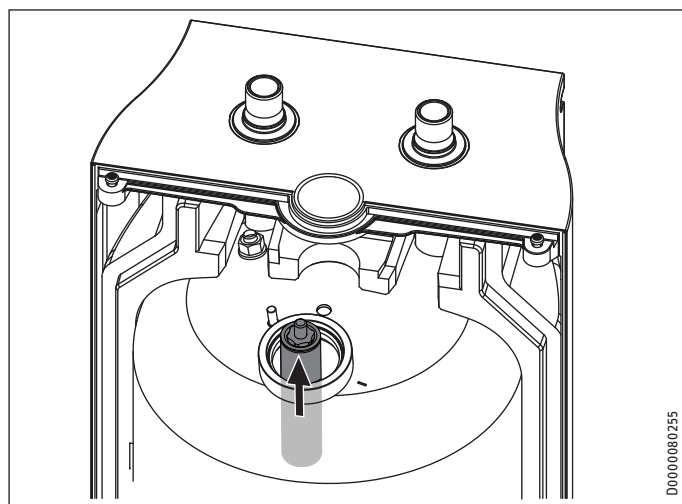
- ▶ Poprvé zkontrolujte ochrannou anodu za 2 roky. K tomu je nutné vymontovat topnou přírubu. Pokud je ochranná anoda opotřebovaná, musíte ji vyměnit.
- ▶ Rozhodněte, v jakých časových intervalech mají být provedeny další kontroly.

Výměna ochranné anody

- ▶ Ochrannou anodu zajistěte pomocí kleští.

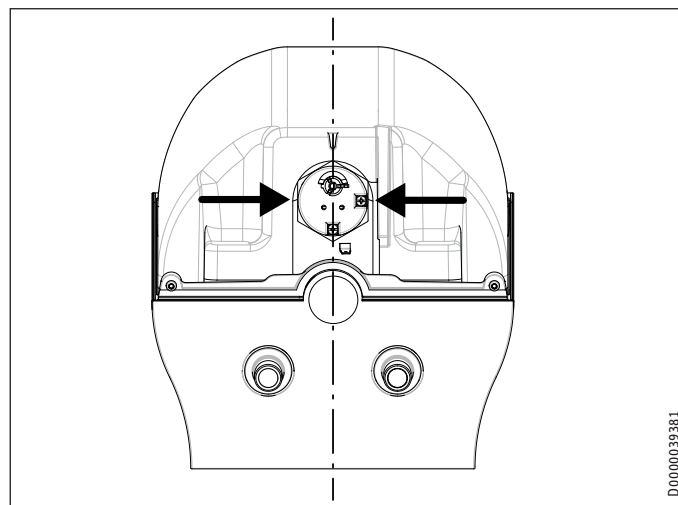


- ▶ Povolte matici.



- ▶ Vyměňte ochrannou anodu otvorem v topné přírubě.
- ▶ Do otvoru nádrže vložte novou ochrannou anodu s těsněním a opěrným kroužkem.
- ▶ Ochrannou anodu upevněte kontaktní podložkou a maticí utahovacím momentem $11 \pm 1,2$ Nm.

14.6 Namontujte topnou přírubu a regulátor teploty / bezpečnostní omezovač teploty



- ▶ Topnou přírubu našroubujte až nadoraz do otvoru nádoby.
- ▶ Kombinovaný regulátor teploty / bezpečnostní omezovač teploty nasuňte až na doraz na topnou přírubu.
- ▶ Topnou přírubu a kombinovaný regulátor teploty / bezpečnostní omezovač teploty vyrovnejte podle obrázku.
- ▶ Všechny žíly opět připojte v původní poloze na kombinovaném regulátoru teploty / bezpečnostním omezovači teploty.

14.7 Zbavte přístroj vodního kamene



Věcné škody

Na povrch ochranné anody nenanášejte prostředky k odstraňování vodního kamene.

- ▶ Demontujte topnou přírubu (viz kapitola „Instalace / Údržba / Topná příruba a regulátor teploty / Bezpečnostní omezovač teploty“).
- ▶ Opatrným poklepem odstraňte hrubé usazeniny vodního kamene z topného tělesa.
- ▶ Ponořte topné těleso až po desku příruby do dekalciфикаčního prostředku.

14.8 Výměna přívodního kabelu

Přívodní kabel smí vyměnit pouze autorizovaný servis za originální náhradní díl.

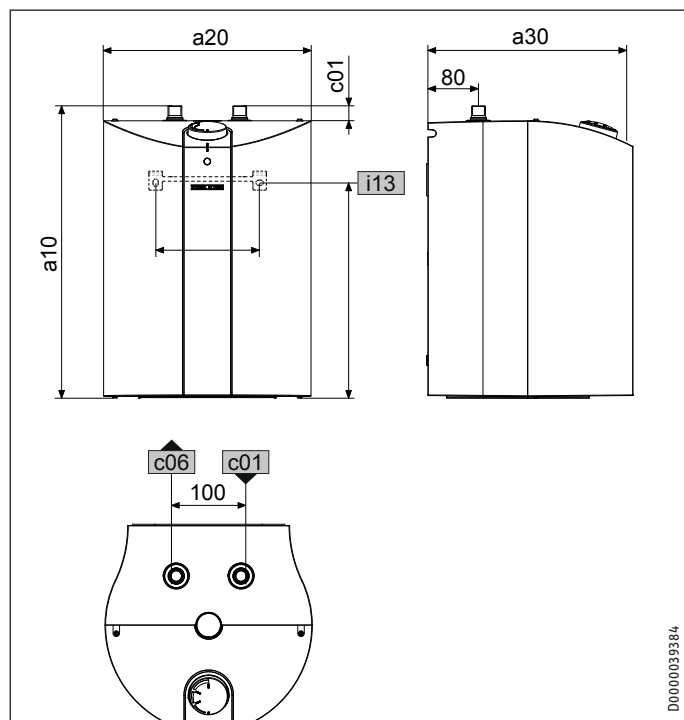
14.9 Kontrola ochranného vodiče

- ▶ Zkontrolujte ochranný vodič podle DGUV V3, na přípojném hrdle vody a na kontaktu ochranného vodiče elektrického přívodního kabelu.

15. Technické údaje

15.1 Rozměry a přípojky

SHC 10 | SHC 15 Stiebel

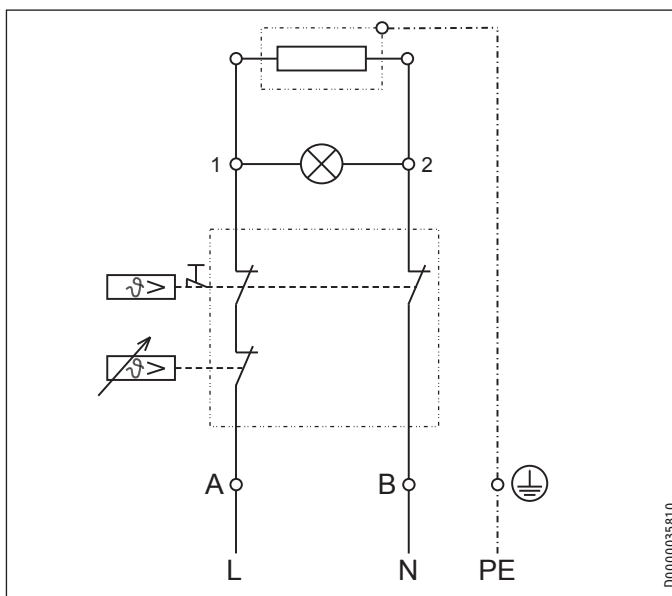


			SHC 10	SHC 10 GB Eltron	
a10	Přístroj	Výška	mm	430	430
a20	Přístroj	Šířka	mm	280	280
a30	Přístroj	Hloubka	mm	270	270
c01	Vstup studené vody	Vnější závit	---	G 1/2 A	G 1/2 A
		Vzdálenost nahore	mm	26,5	26,5
c06	Výstup teplé vody	Vnější závit	---	G 1/2 A	G 1/2 A
i13	Zavěšení na zeď	Výška	mm	320	320
		Vodorovný rozstup mezi otvory	mm	140	140

			SHC 15	SHC 15 GB Eltron	
a10	Přístroj	Výška	mm	452	452
a20	Přístroj	Šířka	mm	320	320
a30	Přístroj	Hloubka	mm	318	318
c01	Vstup studené vody	Vnější závit	---	G 1/2 A	G 1/2 A
		Vzdálenost nahore	mm	23	23
c06	Výstup teplé vody	Vnější závit	---	G 1/2 A	G 1/2 A
i13	Zavěšení na zeď	Výška	mm	342	342
		Vodorovný rozstup mezi otvory	mm	200	200

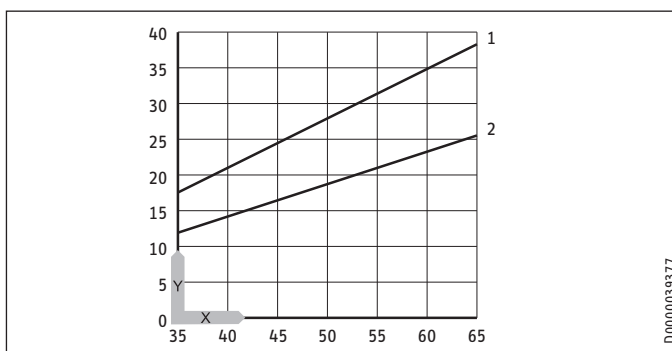
15.2 Schéma elektrického zapojení

1/N/PE ~ 220-240 V



15.3 Diagram ohřevu

Doba ohřevu závisí na usazeném vodním kameni a na zbytkovém teple. Doba ohřevu studené vody o teplotě 10 °C na přítoku při nastavené maximální teplotě je uvedena v diagramu.



x Teplota ve °C

y doba v min.

1 Přístroj 15 l

2 Přístroj 10 l

15.4 Potvrzení a osvědčení platná v jednotlivých zemích

Kontrolní značky jsou uvedeny na typovém štítku.

15.5 Extrémní provozní podmínky a podmínky v případě poruchy

V případě poruchy se může instalace krátkodobě zahřát maximálně na 99 °C.

INSTALACE

Technické údaje

15.6 Údaje ke spotřebě energie

List technických údajů k výrobku: Běžné zařízení k přípravě teplé vody podle nařízení (EU) č. 812/2013 | 814/2013

		SHC 10 233747	SHC 10 GB Eltron 235232	SHC 15 Stiebel 234337	SHC 15 GB Eltron 234407
Výrobce		STIEBEL ELTRON	STIEBEL ELTRON	STIEBEL ELTRON	STIEBEL ELTRON
Zátěžový profil		XXS	XXS	XXS	XXS
Třída energetické účinnosti		A	A	A	A
Energetická účinnost	%	36,00	36,00	36,00	36,00
Roční spotřeba el. energie	kWh	515	515	516	516
Nastavení teploty od výrobce	°C	55	55	55	55
Hladina akustického výkonu	dB(A)	15	15	15	15
Denní spotřeba el. energie	kWh	2,419	2,419	2,421	2,421

15.7 Tabulka údajů

		SHC 10 233747			SHC 10 GB Eltron 235232			SHC 15 Stiebel 234337			SHC 15 GB Eltron 234407		
Údaje o hydraulickém systému													
Jmenovitý objem	l	10			10			15			15		
Množství smíšené vody 40 °C	l	15,3			15,3			23			23		
Elektrotechnické údaje													
Jmenovité napětí	V	220	230	240	220	230	240	220	230	240	220	230	240
Jmenovitý výkon	kW	1,4	1,5	1,6	1,4	1,5	1,6	1,4	1,5	1,6	1,4	1,5	1,6
Jmenovitý proud	A	6,2	6,5	6,8	6,2	6,5	6,8	6,2	6,5	6,8	6,2	6,5	6,8
Jištění	A	10	10	10	10	10	10	10	10	10	10	10	10
Fáze		1/N/PE			1/N/PE			1/N/PE			1/N/PE		
Frekvence	Hz	50/60			50/60			50/60			50/60		
Meze použitelnosti													
Rozsah nastavení teplot	°C	30-65			30-65			30-65			30-65		
Max. dovolený tlak	MPa	0,6			0,6			0,6			0,6		
Min. tlak vody na vstupu	MPa	0,1			0,1			0,1			0,1		
Max. tlak vody na vstupu	MPa	0,6			0,6			0,6			0,6		
Max. průtok	l/min	10			10			10			10		
Energetické údaje													
Tepelná ztráta / 24 h při 65 °C	kWh	0,48			0,48			0,49			0,49		
Třída energetické účinnosti		A			A			A			A		
Provedení													
Krytí (IP)		IP24 D			IP24 D			IP24 D			IP24 D		
Způsob montáže		Pod umyvadlo			Pod umyvadlo			Pod umyvadlo			Pod umyvadlo		
Druh konstrukce		Tlaková			Tlaková			Tlaková			Tlaková		
Materiál vnitřní nádrže		Ocel smaltovaná			Ocel smaltovaná			Ocel smaltovaná			Ocel smaltovaná		
Materiál tepelné izolace		EPS			EPS			EPS			EPS		
Materiál krytu		PS			PS			PS			PS		
Barva		bílá			bílá			bílá			bílá		
Přípojky													
Vodovodní přípojka		G 1/2 A			G 1/2 A			G 1/2 A			G 1/2 A		
Rozměry													
Hloubka	mm	270			270			318			318		
Výška	mm	430			430			452			452		
Šířka	mm	280			280			320			320		
Hmotnosti													
Hmotnost	kg	7,2			7,2			9,0			9,0		

ČESKY

Záruka

Pro přístroje nabyté mimo území Německa neplatí záruční podmínky poskytované našimi firmami v Německu. V zemích, ve kterých některá z našich dceřiných společností distribuuje naše výrobky, poskytuje záruku jenom tato dceřiná společnost. Takovou záruku lze poskytnout pouze tehdy, pokud dceřiná společnost vydala vlastní záruční podmínky. Jinak nelze záruku poskytnout.

Na přístroje zakoupené v zemích, ve kterých nejsou naše výrobky distribuovány žádnou z dceřiných společností, neposkytujeme žádnou záruku. Případné záruky závazně přislíbené dovozcem zůstávají proto nedotčené.

Životní prostředí a recyklace

Pomozte nám chránit naše životní prostředí. Materiály po použití zlikvidujte v souladu s platnými národními předpisy.

WSKAZÓWKI SPECJALNE

OBSŁUGA

1. Wskazówki ogólne	52
1.1 Wskazówki dotyczące bezpieczeństwa	52
1.2 Inne oznaczenia stosowane w niniejszej dokumentacji	52
1.3 Jednostki miar	52
2. Bezpieczeństwo	53
2.1 Użytkowanie zgodne z przeznaczeniem	53
2.2 Ogólne wskazówki dotyczące bezpieczeństwa	53
2.3 Znak kontroli	53
3. Opis urządzenia	53
3.1 Nastawy	53
4. Czyszczenie, czyszczenie i konserwacja	54
5. Usuwanie problemów	54

INSTALACJA

6. Bezpieczeństwo	54
6.1 Ogólne wskazówki dotyczące bezpieczeństwa	54
6.2 Przepisy, normy i wymagania	54
7. Opis urządzenia	54
7.1 Zakres dostawy	54
7.2 Osprzęt	54
8. Przygotowanie	55
8.1 Miejsce montażu	55
9. Montaż	55
9.1 Montaż urządzenia	55
9.2 Montaż zaworu bezpieczeństwa	55
9.3 Przyłącze wody	56
9.4 Podłączenie elektryczne	56
10. Uruchomienie	57
10.1 Pierwsze uruchomienie	57
10.2 Ponowne uruchomienie	57
11. Nastawy	57
11.1 Nastawianie ograniczenia temperatury	57
12. Wyłączenie z eksploatacji	57
13. Usuwanie usterek	57
13.1 Uaktywnianie ogranicznika temperatury bezpieczeństwa	58
14. Konserwacja	58
14.1 Sprawdzenie zaworu bezpieczeństwa	58
14.2 Opróżnianie urządzenia	58
14.3 Otwarcie urządzenia	58
14.4 Demontaż kołnierza grzejnego i regulatora temperatury / ogranicznika temperatury bezpieczeństwa	58
14.5 Sprawdzić anodę ochronną i, w razie potrzeby, ją wymienić	59
14.6 Montaż kołnierza grzejnego i regulatora temperatury / ogranicznika temperatury bezpieczeństwa	59
14.7 Odwapnianie urządzenia	59
14.8 Wymiana przewodu przyłączeniowego	59

14.9 Kontrola przewodu ochronnego	59
15. Dane techniczne	60
15.1 Wymiary i przyłącza	60
15.2 Schemat połączeń elektrycznych	60
15.3 Wykres nagrzewania	60
15.4 Krajowe dopuszczenia i certyfikaty	60
15.5 Ekstremalne warunki robocze i awaryjne	60
15.6 Dane dotyczące zużycia energii	61
15.7 Tabela danych	61

GWARANCJA

OCHRONA ŚRODOWISKA I RECYCLING

WSKAZÓWKI SPECJALNE

- Urządzenie może być obsługiwane przez dzieci w wieku od 3 lat, a także osoby z ograniczonymi zdolnościami ruchowymi, sensorycznymi lub z ograniczoną poczytalnością, lub też przez osoby bez doświadczenia i wiedzy, jeśli obsługa odbywać się będzie pod nadzorem lub jeśli użytkownicy zostali pouczeni odnośnie bezpiecznego korzystania z urządzenia i zapoznali się z ewentualnymi groźącymi niebezpieczeństwami. Dzieci w wieku od 3 do 8 lat mogą obsługiwać tylko armaturę podłączoną do urządzenia. Urządzenie nie może być używane przez dzieci do zabawy. Czyszczenie oraz konserwacja wykonywana przez użytkownika są czynnościami, których dzieciom nie wolno wykonywać bez nadzoru.
- W przypadku stałego podłączenia do sieci elektrycznej za pomocą puszk przyłączeniowej należy zapewnić możliwość odłączania urządzenia od sieci elektrycznej za pomocą wielobiegunowego wyłącznika z rozwarciem styków wynoszącym przynajmniej 3 mm.
- Czynności związane z wymianą przewodu przyłączeniowego, np. w razie uszkodzenia, mogą być wykonywane wyłącznie przez specjalistę posiadającego uprawnienia wydane przez producenta, przy użyciu oryginalnej części zamiennej.
- Zamocować urządzenie w sposób opisany w rozdziale „Instalacja / Montaż”.

- Należy przestrzegać maksymalnego dopuszczalnego ciśnienia (patrz rozdział „Instalacja / Dane techniczne / Tabela danych”).
- Opróżnić urządzenie w sposób opisany w rozdziale „Instalacja / Konserwacja / Opróżnianie urządzenia”.
- Urządzenie pracuje pod ciśnieniem. Podczas ogrzewania z zaworu bezpieczeństwa może kapać woda.
- Należy regularnie uruchamiać zawór bezpieczeństwa, aby zapobiec jego zablokowaniu np. przez osadzający się kamień.
- Zainstalować w przewodzie doprowadzającym wody zimnej zawór bezpieczeństwa posiadający certyfikat badania typu. W zależności od ciśnienia zasilania ewentualnie potrzebny może być zawór redukcyjny ciśnienia.
- Należy zastosować przewód odpływowy o takich wymiarach, które pozwolą na swobodny odpływ wody przy całkowicie otwartym zaworze bezpieczeństwa.
- Zamontować przewód odpływowy zaworu bezpieczeństwa przy zachowaniu stałego nachylenia w pomieszczeniu wolnym od mrozu.
- Odpływ zaworu bezpieczeństwa musi pozostać otwarty do atmosfery.

OBSŁUGA

1. Wskazówki ogólne

Rozdziały „Wskazówki specjalne” i „Obsługa” są przeznaczone dla użytkowników urządzenia i specjalistów.

Rozdział „Instalacja” przeznaczony jest dla specjalisty.



Wskazówka

Przed przystąpieniem do obsługi urządzenia należy dokładnie zapoznać się z niniejszą instrukcją i zachować ją do późniejszego wykorzystania.

W przypadku przekazania produktu osobie trzeciej należy jej również przekazać niniejszą instrukcję.

1.1 Wskazówki dotyczące bezpieczeństwa

1.1.1 Struktura wskazówek dotyczących bezpieczeństwa



HASŁO OSTRZEGAWCZE – rodzaj zagrożenia
W tym miejscu są określone potencjalne skutki nieprze-
strzegania wskazówki dotyczącej bezpieczeństwa.

► W tym miejscu są określone środki zapobiegające
zagrożeniu.

1.1.2 Symbole i rodzaje zagrożenia

Symbol	Rodzaj zagrożenia
	Obrażenia ciała
	Porażenie prądem elektrycznym
	Poparzenie (różne rodzaje poparzeń, w tym poparzenie gorącą cieczą)

1.1.3 Hasła ostrzegawcze

HASŁO OSTRZE- GAWCZE	Znaczenie
ZAGROŻENIE	Wskazówki, których nieprze- strzeżenie prowadzi do cięż- kich obrażeń ciała lub śmierci.
OSTRZEŻENIE	Wskazówki, których nieprze- strzeżenie może prowadzić do ciężkich obrażeń ciała lub śmierci.
OSTROŻNIE	Wskazówki, których nieprze- strzeżenie może prowadzić do średnich lub lekkich obrażeń ciała.

1.2 Inne oznaczenia stosowane w niniejszej dokumentacji



Wskazówka

Ogólne wskazówki są oznaczone symbolem umieszczo-
nym obok.

► Należy dokładnie zapoznać się z treścią wskazówek.

Symbol	Znaczenie
	Szkody materialne (uszkodzenia urządzenia, szkody następne, szkody środo- wiskowe)
	Utylizacja urządzenia

► Ten symbol informuje o konieczności wykonania jakiejś czyn-
ności. Wymagane czynności opisane są krok po kroku.

1.3 Jednostki miar



Wskazówka

Jeśli nie określono innych jednostek, wszystkie wymiary
podane są w milimetrach.

2. Bezpieczeństwo

2.1 Użytkowanie zgodne z przeznaczeniem

Urządzenie ciśnieniowe przeznaczone jest do podgrzewania wody użytkowej. Urządzenie może służyć do zasilania co najmniej jednego punktu poboru wody.

Urządzenie przeznaczone jest do użytku domowego. Nieprzeszkolone osoby mogą bezpiecznie z niego korzystać. Urządzenie może być użytkowane również poza domem, np. w małych przedsiębiorstwach, pod warunkiem użytkowania zgodnego z przeznaczeniem.

Inne lub wykraczające poza obowiązujące ustalenia zastosowanie traktowane jest jako niezgodne z przeznaczeniem. Do użytkowania zgodnego z przeznaczeniem należy również przestrzeganie niniejszej instrukcji obsługi oraz instrukcji obsługi użytego wyposażenia dodatkowego.

2.2 Ogólne wskazówki dotyczące bezpieczeństwa



OSTRZEŻENIE poparzenie

Podczas pracy armatura i zawór bezpieczeństwa mogą osiągnąć temperaturę przekraczającą 60 °C. W przypadku temperatur na wylocie wyższych niż 43 °C istnieje niebezpieczeństwo poparzenia.



OSTRZEŻENIE obrażenia ciała

Pokrętło regulacji temperatury może być zdejmowane tylko przez specjalistę.



OSTRZEŻENIE obrażenia ciała

Urządzenie może być obsługiwane przez dzieci w wieku powyżej 3 lat, a także przez osoby o obniżonej sprawności ruchowej, sensorycznej lub umysłowej, lub też przez osoby bez doświadczenia i odpowiedniej wiedzy, jeśli obsługa odbywa się pod nadzorem lub jeśli osoby te zostały poinstruowane odnośnie do bezpiecznego użytkowania urządzenia i rozumieją wynikające z tego zagrożenia. Dzieci w wieku od 3 do 8 lat mogą obsługiwać tylko armaturę podłączoną do urządzenia. Urządzenie nie może być używane przez dzieci do zabawy. Czyszczenie oraz konserwacja wykonywana przez użytkownika są czynnościami, których dzieciom nie wolno wykonywać bez nadzoru.

Jeżeli urządzenie będzie obsługiwane przez dzieci lub osoby z ograniczonymi zdolnościami ruchowymi, sensorycznymi lub umysłowymi zaleca się nastawienie ograniczenia temperatury. Ogranicznik może nastawić specjalista.



Szkody materialne

Obowiązkiem użytkownika jest zabezpieczenie urządzenia, przewodów wody, zaworu bezpieczeństwa i armatury przed mrozem.



Szkody materialne

Jeśli przewód odpływowy zaworu bezpieczeństwa zostanie zamknięty, nadmiar wody może doprowadzić do wystąpienia szkód wodnych.

► Nie zamykać przewodu odpływowego.

2.3 Znak kontroli

Patrz tabliczka znamionowa na urządzeniu.

3. Opis urządzenia

Urządzenie utrzymuje przez cały czas nastawioną temperaturę zgromadzonej w nim wody. Urządzenie włącza się automatycznie, gdy temperatura wody w urządzeniu spadnie poniżej nastawionej wartości.

W zależności od pory roku, przy różnych temperaturach zimnej wody osiągane są różne maksymalne ilości wody zmieszanej i wody na wylocie.



Wskazówka

Specjalista może ograniczyć temperaturę w urządzeniu (patrz „Instalacja / Nastawy / Nastawianie ograniczenia temperatury”).

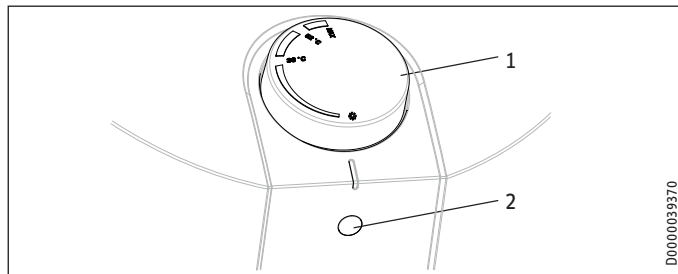


Wskazówka

Urządzenie znajduje się pod ciśnieniem instalacji wodnej. Podczas nagrzewania objętość wody zwiększa się. Nadmiar wody wypływa wówczas kroplami przez zawór bezpieczeństwa. Jest to konieczne i normalne zjawisko.

3.1 Nastawy

Żądaną temperaturę ciepłej wody na wylocie można regulować bezstopniowo pokrętłem regulacji temperatury. Podczas nagrzewania świeci się wskaźnik nagrzewania.



1 Pokrętło regulacji temperatury

2 Wskaźnik nagrzewania

W zależności od instalacji temperatury mogą różnić się od wartości zadanej.

* = Zimno. Przy tym nastawieniu urządzenie jest chronione przed mrozem. Armatura, przewody wody i zawór bezpieczeństwa nie są zabezpieczone.

MAX= Maksymalna temperatura, którą można nastawić

4. Czyszczenie, pielęgnacja i konserwacja

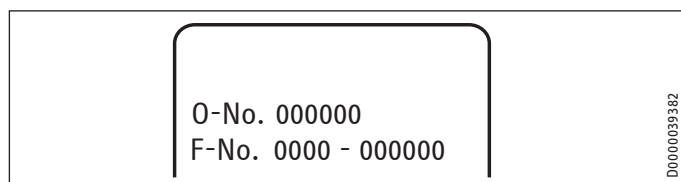
- ▶ Nie wolno używać szorujących ani rozpuszczających środków czyszczących. Do konserwacji i czyszczenia urządzenia wystarczy wilgotna szmatka.
- ▶ Regularnie należy sprawdzać stan armatury. Osad z wylotu armatury należy usuwać przy użyciu standardowych środków do usuwania osadów wapiennych.
- ▶ Należy regularnie uruchamiać zawór bezpieczeństwa, aby zapobiec jego zablokowaniu np. przez osadzający się kamień.
- ▶ Wykonanie pierwszej kontroli anody ochronnej należy zlecić specjaliście po upływie 2 lat. Po jej przeprowadzeniu specjalista zdecyduje, w jakich odstępach czasu będą wymagane kolejne kontrole.

Prawie każdy rodzaj wody w wysokiej temperaturze powoduje powstanie kamienia. Osadza się on w urządzeniu i ma wpływ na działanie oraz żywotność urządzenia. W związku z tym w razie potrzeby należy przeprowadzić odwapnianie grzałek. Specjalista znający jakość wody w miejscu montażu urządzenia poinformuje o terminie przeprowadzenia odwapniania.

5. Usuwanie problemów

Problem	Przyczyna	Rozwiązanie
Urządzenie nie dostarcza ciepłej wody.	Pokrętło regulacji temperatury jest ustawione w położeniu „*“. Do urządzenia nie jest doprowadzane napięcie.	Włączyć urządzenie, obracając pokrętło regulacji temperatury. Sprawdzić wtyczki / bezpieczniki w instalacji domowej.
Strumień pobieranej wody zmniejszył się.	Regulator strumienia w armaturze jest pokryty kamieniem lub zabrudzony.	Odwapnić / wymienić regulator strumienia na nowy.
Silne bulgotanie w urządzeniu.	Urządzenie jest pokryte kamieniem.	Zlecić specjaliście odwapnienie urządzenia.
Po nagrzaniu woda kapie z zaworu bezpieczeństwa.	Zawór bezpieczeństwa jest pokryty kamieniem lub zabrudzony.	Wyłączyć urządzenie. Odłączyć urządzenie od instalacji wodnej i elektrycznej. Zlecić specjaliście kontrolę zaworu bezpieczeństwa.

Jeśli nie można usunąć przyczyny usterki, należy wezwać serwis. W celu usprawnienia i uzyskania szybszej pomocy należy podać numer z tabliczki znamionowej (000000):



INSTALACJA

6. Bezpieczeństwo

Instalacja, uruchomienie, jak również konserwacja i naprawa urządzenia mogą być wykonane wyłącznie przez specjalistę.

6.1 Ogólne wskazówki dotyczące bezpieczeństwa

Producent zapewnia prawidłowe działanie i bezpieczeństwo eksploatacji tylko w przypadku stosowania oryginalnego wyposażenia dodatkowego przeznaczonego do tego urządzenia oraz oryginalnych części zamiennych.

6.2 Przepisy, normy i wymagania



Wskazówka

Należy przestrzegać wszystkich krajowych i miejscowych przepisów oraz wymogów.

7. Opis urządzenia

Urządzenie ciśnieniowe jest przeznaczone wyłącznie do montażu poniżej punktu poboru wody. Służy do podgrzewania zimnej wody i zasilania jednego lub większej liczby punktów poboru.

Urządzenie może być instalowane wyłącznie z armaturami ciśnieniowymi i w połączeniu z zaworem bezpieczeństwa posiadającym certyfikat badania typu (patrz rozdział „Instalacja / Opis urządzenia / Zakres dostawy”).

Zawór bezpieczeństwa posiadający certyfikat badania typu chroni urządzenie przed niedopuszczalnym przekroczeniem ciśnienia.

Emaliowany zbiornik wewnętrzny jest wyposażony w anodę ochronną. Anoda ochronna chroni zbiornik wewnętrzny przed korozją.

7.1 Zakres dostawy

Do urządzenia dołączone są następujące elementy:

- Zawieszenie na ścianie

SHC 10 | SHC 15 Stiebel

- Dwie redukcje gwintowe z G 1/2 na G 3/8

SHC 10 GB Eltron | SHC 15 GB Eltron

- Dwa połączenia śrubowe z pierścieniem zaciskowym G 1/2 x 15

7.2 Osprzęt

SHC 10 | SHC 15 Stiebel

- Grupa zabezpieczająca G 1/2 (opcjonalne)

8. Przygotowanie

Instalacja wodna

Zawór bezpieczeństwa posiadający certyfikat badania typu jest wymagany.

Urządzenie jest przystosowane do nadciśnienia znamionowego wynoszącego 0,6 MPa. Zawór bezpieczeństwa musi zapobiegać wzrostowi ciśnienia wody w zbiorniku przekraczającemu nadciśnienie znamionowe o ponad 0,1 MPa.

Armatury

Można instalować wyłącznie armatury ciśnieniowe w połączeniu z zaworem bezpieczeństwa.

8.1 Miejsce montażu



Szkody materialne

Urządzenie wolno instalować wyłącznie w pomieszczeniu, w którym nie istnieje ryzyko wystąpienia mrozu.



Szkody materialne

Zamontować urządzenie na ścianie. Ściana musi mieć odpowiednią nośność.



Szkody materialne

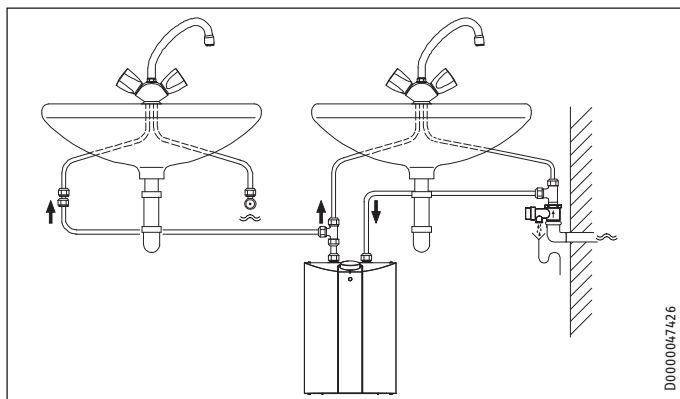
Urządzenie jest przeznaczone wyłącznie do montażu poniżej punktu poboru. Przyłącza wody urządzenia skierowane są w górę.



Wskazówka

Zwrócić uwagę, aby zapewniony był swobodny dostęp do urządzenia, dla przeprowadzania prac konserwacyjnych.

Urządzenie należy zamontować pionowo i w pobliżu punktu poboru.



9. Montaż

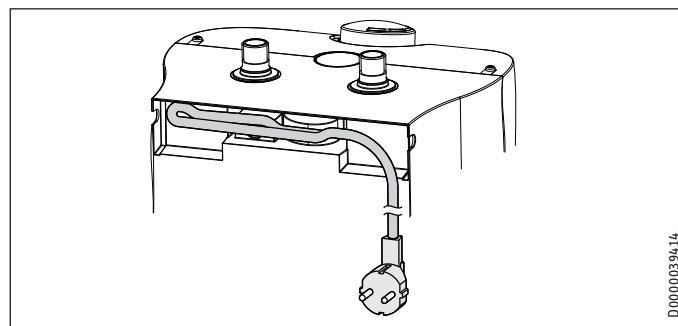
9.1 Montaż urządzenia

- ▶ Zaznaczyć wymiary otworów montażowych na ścianie (patrz rozdział „Instalacja / Dane techniczne / Wymiary i przyłącza”).
- ▶ Wywiercić otwory i włożyć w nie odpowiednie kołki rozporowe.
- ▶ Zamocować uchwyt ścienny odpowiednimi wkrętami.
- ▶ Zawiesić urządzenie na uchwycie ściennym.



Wskazówka

Nadmiar przewodu przyłączeniowego można umieścić w schowku przewodu.



D00000394.14

POLSKI

9.2 Montaż zaworu bezpieczeństwa

- ▶ Zainstalować zawór bezpieczeństwa w przewodzie doprowadzającym zimną wodę do urządzenia.
- ▶ Należy zastosować przewód odpływowy o takich wymiarach, które pozwolą na swobodny odpływ wody przy całkowicie otwartym zaworze bezpieczeństwa.
- ▶ Zamontować przewód odpływowy zaworu bezpieczeństwa przy zachowaniu stałego nachylenia w pomieszczeniu wolnym od mrozu.
- ▶ Odpływ zaworu bezpieczeństwa musi pozostać otwarty do atmosfery.
- ▶ W przypadku ciśnienia zasilania $> 0,48$ MPa zamontować reduktor ciśnienia przed zaworem bezpieczeństwa w przewodzie doprowadzającym zimną wodę.

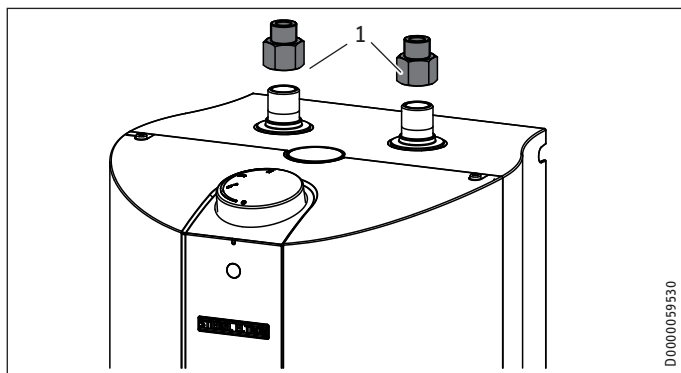
9.3 Przyłącze wody

! Szkody materialne
Wszystkie prace w zakresie podłączania wody i prace instalacyjne należy wykonywać zgodnie z przepisami.

! Szkody materialne
Urządzenie może utracić zdolność działania.
▶ Nie zamienić miejscami przyłączy wody.
▶ Ustawić natężenie przepływu (patrz instrukcja armatury). Przestrzegać maksymalnie dopuszczalnego natężenia przepływu przy całkowicie otwartej armaturze (patrz rozdział „Instalacja / Dane techniczne / Tabela danych”).
▶ Stosować wyłącznie armatury ciśnieniowe w połączeniu z zaworem bezpieczeństwa.

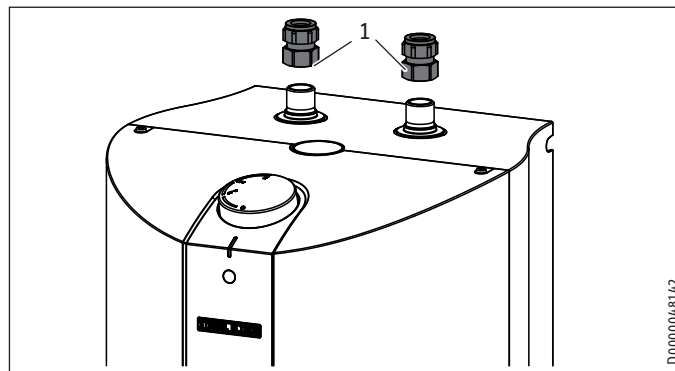
- ▶ Należy przestrzegać maksymalnego dopuszczalnego ciśnienia (patrz rozdział „Instalacja / Dane techniczne / Tabela danych”).
- ▶ W razie potrzeby na króćce przyłączeniowe urządzenia przykręcić zawarte w zakresie dostawy redukcje gwintowe / połączenia śrubowe z pierścieniem zaciskowym:

SHC 10 | SHC 15 Stiebel



1 Redukcje gwintowe z G 1/2 na G 3/8

SHC 10 GB Eltron | SHC 15 GB Eltron



- 1 Połączenia śrubowe z pierścieniem zaciskowym G 1/2 x 15
- ▶ Przyporządkować kolorowe oznaczenia przyłączy wody na armaturze i urządzeniu:
 - Prawe niebieskie = „Dopływ zimnej wody”
 - Lewe czerwone = „Wylot ciepłej wody”
 - ▶ Mocno przykręcić przyłącza armatury do urządzenia.



Wskazówka

Uważać, aby podczas montażu nie zagiąć przyłączy wody. Unikać naprężeń rozciągających podczas montażu.

9.4 Podłączenie elektryczne



OSTRZEŻENIE PORAŻENIE PRĄDEM ELEKTRYCZNYM
Wszystkie elektryczne prace przyłączeniowe i instalacyjne należy wykonywać zgodnie z przepisami.



OSTRZEŻENIE PORAŻENIE PRĄDEM ELEKTRYCZNYM
W przypadku stałego podłączenia do sieci elektrycznej za pomocą puszek przyłączeniowych należy zapewnić możliwość odłączania urządzenia od sieci elektrycznej za pomocą wielobiegunowego wyłącznika z rozwarciem styków wynoszącym przynajmniej 3 mm.



OSTRZEŻENIE PORAŻENIE PRĄDEM ELEKTRYCZNYM
Zadbać o to, aby urządzenie zostało podłączone do przewodu ochronnego.



Szkody materialne

Napięcie podane na tabliczce znamionowej musi być zgodne z napięciem sieciowym.
▶ Zwrócić uwagę na treść tabliczki znamionowej.

Dopuszczalne są następujące możliwości podłączenia do instalacji elektrycznej:

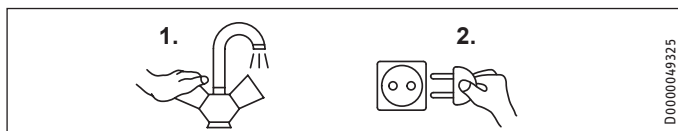
	SHC 10	SHC 10 GB Eltron	SHC 15 Stiebel	SHC 15 GB Eltron
Podłączenie do dobrze dostępnego gniazdka z zestykiem ochronnym za pomocą odpowiedniej wtyczki	X	-	X	-
Podłączenie na stałe do puszek przyłączeniowych z przewodem ochronnym	X	X	X	X

10. Uruchomienie



OSTRZEŻENIE PORAŻENIE PRĄDEM ELEKTRYCZNYM
Uruchomienie może zostać przeprowadzone wyłącznie przez specjalistę w sposób zgodny z przepisami bezpieczeństwa.

10.1 Pierwsze uruchomienie



- ▶ Otworzyć zawór ciepłej wody na armaturze lub ustawić jednouchwytową armaturę mieszającą w położenie „ciepła woda” i odczekać, aż zacznie wypływać woda pozbawiona pęcherzyków powietrza.
- ▶ Obrócić pokrętkę regulacji temperatury w położenie temperatury maksymalnej.
- ▶ Podłączyć wtyczkę do gniazdka z zestykiem ochronnym lub włączyć bezpiecznik w instalacji domowej.
- ▶ Sprawdzić sposób pracy urządzenia. Zwrócić przy tym uwagę na prawidłowe działanie regulatora temperatury.
- ▶ Sprawdzić działanie zaworu bezpieczeństwa.
- ▶ Sprawdzić szczelność wszystkich instalacji wody.



Wskazówka
Jeśli kolejność (najpierw woda, później prąd) nie została zachowana, zadziała ogranicznik temperatury bezpieczeństwa.
W takiej sytuacji należy:
▶ Przywrócić ustawienie wyjściowe ogranicznika temperatury bezpieczeństwa, naciskając przycisk resetowania (patrz rozdział „Instalacja / Usuwanie usterek / Uaktywnianie ogranicznika temperatury bezpieczeństwa”).

10.1.1 Przekazanie urządzenia

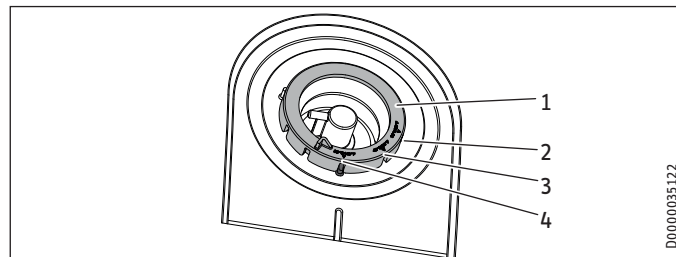
- ▶ Wyjaśnić użytkownikowi funkcję urządzenia. i zapoznać z jego użytkowaniem.
- ▶ Poinformować użytkownika o potencjalnych zagrożeniach, zwłaszcza o niebezpieczeństwie poparzenia.
- ▶ Przekazać niniejszą instrukcję i ewentualne instrukcje dotyczące wyposażenia dodatkowego.

10.2 Ponowne uruchomienie

Patrz rozdział „Instalacja / Uruchomienie / Pierwsze uruchomienie”.

11. Nastawy

11.1 Nastawianie ograniczenia temperatury



1 Pierścień ograniczający

Nastawy temperatury:

- 2 38 °C
- 3 49 °C
- 4 65 °C

Pierścień ograniczający pod pokrętką regulacji temperatury pozwala na ograniczenie zakresu nastaw pokrętki regulacji temperatury do temperatury żądanej.

- ▶ Obrócić pokrętkę regulacji temperatury w położenie zerowe (do „*”).
- ▶ Zdjąć pokrętkę regulacji temperatury i pierścień ograniczający.
- ▶ Nałożyć pierścień ograniczający z żądaną maksymalną nastawą na pokrywę urządzenia.
- ▶ Zamontować pokrętkę regulacji temperatury w położeniu zerowym („*”).

12. Wyłączenie z eksploatacji

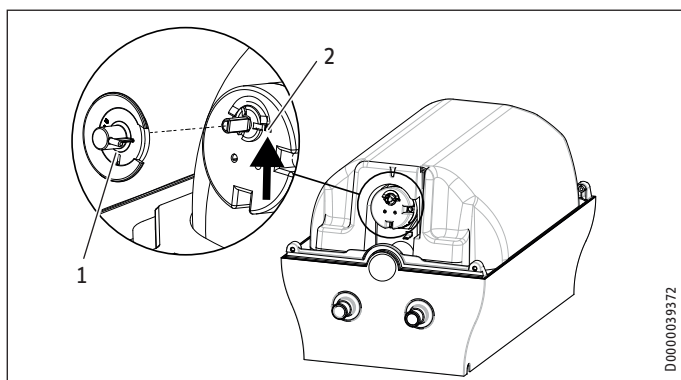
- ▶ Odłączyć urządzenie od sieci elektrycznej, wyjmując wtyczkę lub wyłączając bezpiecznik w instalacji domowej.
- ▶ Opróżnić urządzenie (patrz rozdział „Instalacja / Konserwacja / Opróżnianie urządzenia”).

13. Usuwanie usterek

Usterka	Przyczyna	Rozwiązanie
Urządzenie nie dostarcza ciepłej wody.	Zadziałał ogranicznik temperatury bezpieczeństwa.	Usunąć przyczynę usterek. W razie potrzeby wymienić zespolony regulator temperatury / ogranicznik temperatury bezpieczeństwa. Przywrócić ustawienie wyjściowe ogranicznika temperatury bezpieczeństwa, naciskając przycisk resetowania na ograniczniku temperatury bezpieczeństwa (patrz rozdział „Instalacja / Usuwanie usterek / Uaktywnianie ogranicznika temperatury bezpieczeństwa”).
	Regulator jest uszkodzony.	Wymienić zespolony regulator temperatury / ogranicznik temperatury bezpieczeństwa.
	Kołnierz grzejny jest uszkodzony.	Wymienić kołnierz grzejny.
Silne bulgotanie w urządzeniu.	Urządzenie jest pokryte kamieniem.	Odwapnić urządzenie.
Po nagrzaniu woda kapie z zaworu bezpieczeństwa.	Zawór bezpieczeństwa jest pokryty kamieniem lub zabrudzony.	Oczyścić / odwapnić gniazdo zaworu.

13.1 Uaktywnianie ogranicznika temperatury bezpieczeństwa

- ▶ Otworzyć urządzenie (patrz rozdział „Instalacja / Konserwacja / Otwieranie urządzenia”).
- ▶ Wyjąć adapter.
- ▶ Wcisnąć przycisk resetowania w ograniczniku temperatury bezpieczeństwa.
- ▶ Zamontować adapter.
- ▶ Zamknąć pokrywę urządzenia.
- ▶ Zamontować pierścień ograniczający i pokrętło regulacji temperatury.



- 1 Adapter
- 2 Przycisk resetowania w ograniczniku temperatury bezpieczeństwa

14. Konserwacja



OSTRZEŻENIE PORAZENIE PRĄDEM ELEKTRYCZNYM

Przed przystąpieniem do wszelkich prac odłączyć wszystkie bieguny zasilania urządzenia od sieci elektrycznej.

- ▶ Podczas prac konserwacyjnych zdemontować urządzenie.

14.1 Sprawdzenie zaworu bezpieczeństwa

- ▶ Regularnie sprawdzać zawór bezpieczeństwa.

14.2 Opróżnianie urządzenia

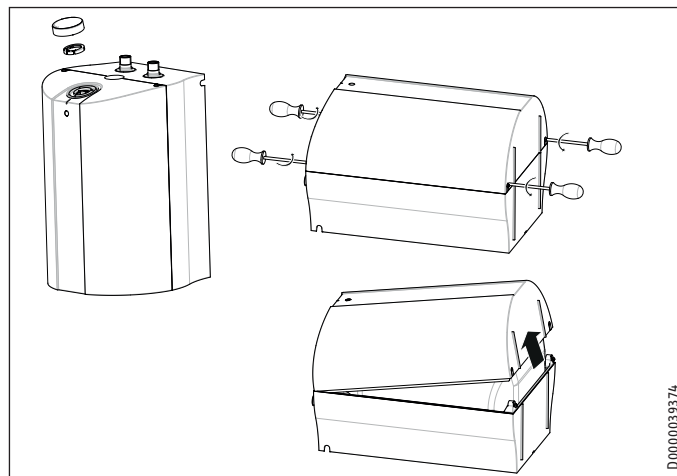


OSTRZEŻENIE poparzenie

Podczas opróżniania urządzenia może wypłynąć gorąca woda.

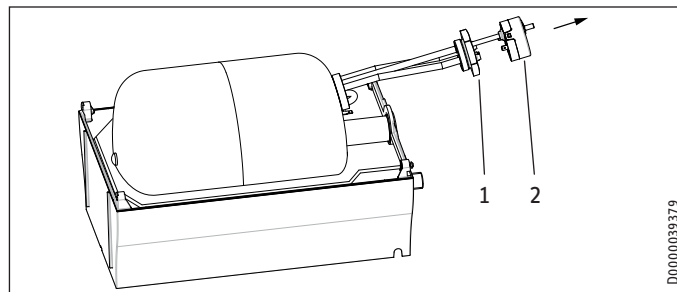
- ▶ Opróżnić urządzenie przez króciec przyłączeniowy.

14.3 Otwarcie urządzenia



- ▶ Zdjąć pokrętło regulacji temperatury i pierścień ograniczający.
- ▶ Wykręcić 4 śruby z obudowy.
- ▶ Otworzyć pokrywę urządzenia, odchylając i zdejmując ją.
- ▶ W razie potrzeby zdjąć górną półskorupę izolacji cieplnej.

14.4 Demontaż kołnierza grzejnego i regulatora temperatury / ogranicznika temperatury bezpieczeństwa



- 1 Kołnierz grzejny
 - 2 Zespolony regulator temperatury / ogranicznik temperatury bezpieczeństwa
- ▶ Odłączyć wszystkie skrętki na zespolonym regulatorze temperatury / ograniczniku temperatury bezpieczeństwa.
 - ▶ Wyciągnąć zespolony regulator temperatury / ogranicznik temperatury bezpieczeństwa z kołnierza grzejnego.
 - ▶ Zdemontować kołnierz grzejny.

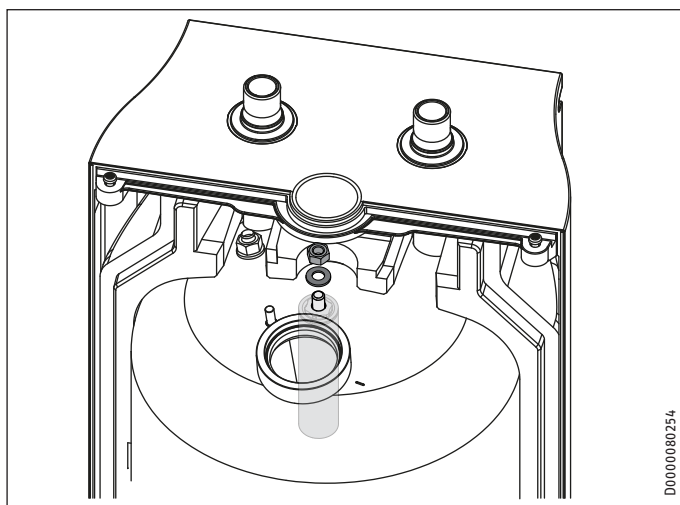
14.5 Sprawdzić anodę ochronną i, w razie potrzeby, ją wymienić

Kontrola anody ochronnej

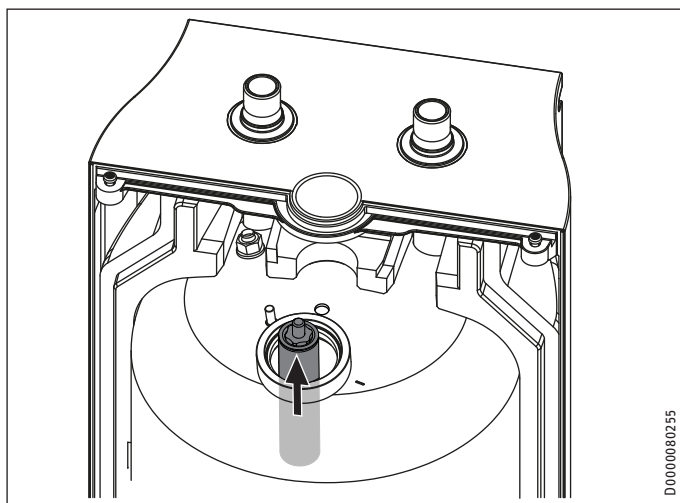
- ▶ Po raz pierwszy skontrolować anodę ochronną po upływie 2 lat. W tym celu konieczne jest wymontowanie kołnierza grzejnego. Anodę ochronną należy wymienić, jeśli jest zużyta.
- ▶ Zdecydować, w jakich odstępach czasu będą miały miejsce kolejne kontrole.

Wymiana anody ochronnej

- ▶ Przytrzymać anodę ochronną za pomocą obcęgow.

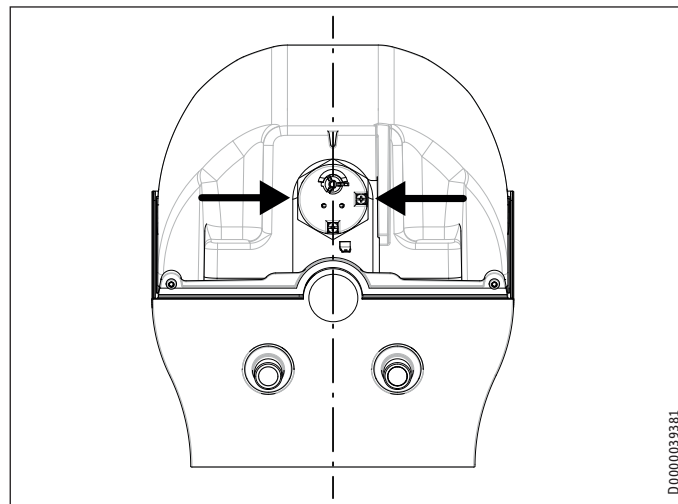


- ▶ Odkręcić nakrętkę.



- ▶ Wyjąć anodę ochronną przez otwór kołnierza grzejnego.
- ▶ Włożyć nową anodę ochronną z uszczelką i pierścieniem oporowym w otwór zbiornika.
- ▶ Zamocować anodę ochronną za pomocą podkładki kontaktowej i nakrętki momentem dokręcenia $11 \pm 1,2$ Nm.

14.6 Montaż kołnierza grzejnego i regulatora temperatury / ogranicznika temperatury bezpieczeństwa



- ▶ Wkręcić kołnierz grzejny do oporu w otwór zbiornika.
- ▶ Nasadzić zespolony regulator temperatury / ogranicznik temperatury bezpieczeństwa do oporu na kołnierz grzejny.
- ▶ Wyrównać kołnierz grzejny i zespolony regulator temperatury / ogranicznik temperatury bezpieczeństwa zgodnie z rysunkiem.
- ▶ Ponownie podłączyć wszystkie skrętki w pierwotnym położeniu na zespolonym regulatorze temperatury / ograniczniku temperatury bezpieczeństwa.

14.7 Odwapnianie urządzenia



Szkody materialne

Nie czyścić anody ochronnej środkami do usuwania kamienia.

- ▶ Wymontować kołnierz grzejny (patrz rozdział „Instalacja / Konserwacja / Kołnierz grzejny i regulator temperatury / Demontaż ogranicznika temperatury bezpieczeństwa”).
- ▶ Usunąć grubą warstwę osadów wapiennych z grzałki poprzez ostrożne ostukanie.
- ▶ Zanurzyć grzałkę aż do płyty kołnierza w środku odwapniającym.

14.8 Wymiana przewodu przyłączeniowego

Przewód przyłączeniowy może zostać wymieniony wyłącznie przez specjalistę na oryginalną część zamienną.

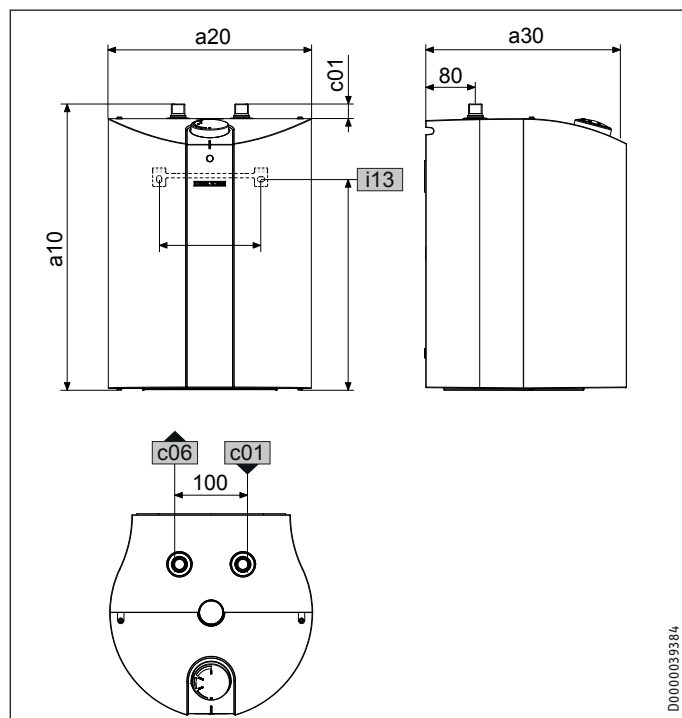
14.9 Kontrola przewodu ochronnego

- ▶ Skontrolować przewód ochronny (w Niemczech np. norma DGUV V3) przy króćcu przyłączeniowym wody i zestyku przewodu ochronnego przewodu przyłączeniowego.

15. Dane techniczne

15.1 Wymiary i przyłącza

SHC 10 | SHC 15 Stiebel



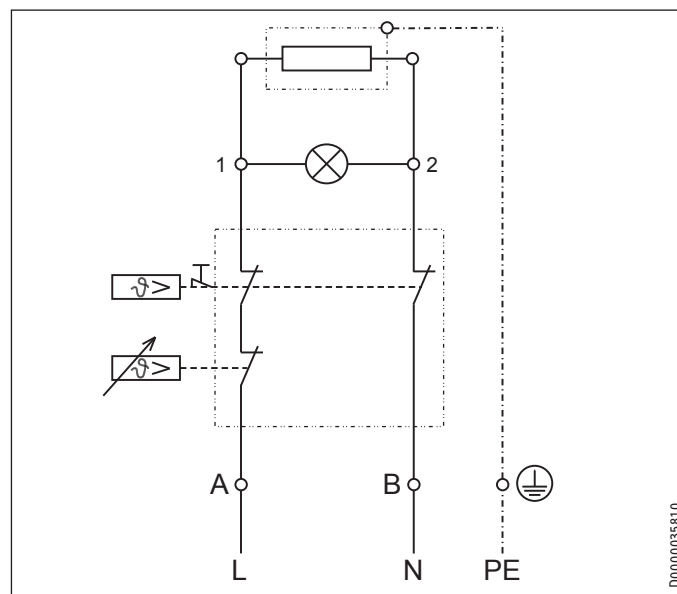
D0000039384

			SHC 10	SHC 10 GB Eltron	
a10	Urządzenie	Wysokość	mm	430	430
a20	Urządzenie	Szerokość	mm	280	280
a30	Urządzenie	Głębokość	mm	270	270
c01	Dopływ zimnej wody	Gwint zewnętrzny		G 1/2 A	G 1/2 A
		Odstęp u góry	mm	26,5	26,5
c06	Wylot ciepłej wody	Gwint zewnętrzny		G 1/2 A	G 1/2 A
i13	Zawieszenie na ścianie	Wysokość	mm	320	320
		Rozstaw otworów w poziomie	mm	140	140

			SHC 15	SHC 15 GB Eltron	
a10	Urządzenie	Wysokość	mm	452	452
a20	Urządzenie	Szerokość	mm	320	320
a30	Urządzenie	Głębokość	mm	318	318
c01	Dopływ zimnej wody	Gwint zewnętrzny		G 1/2 A	G 1/2 A
		Odstęp u góry	mm	23	23
c06	Wylot ciepłej wody	Gwint zewnętrzny		G 1/2 A	G 1/2 A
i13	Zawieszenie na ścianie	Wysokość	mm	342	342
		Rozstaw otworów w poziomie	mm	200	200

15.2 Schemat połączeń elektrycznych

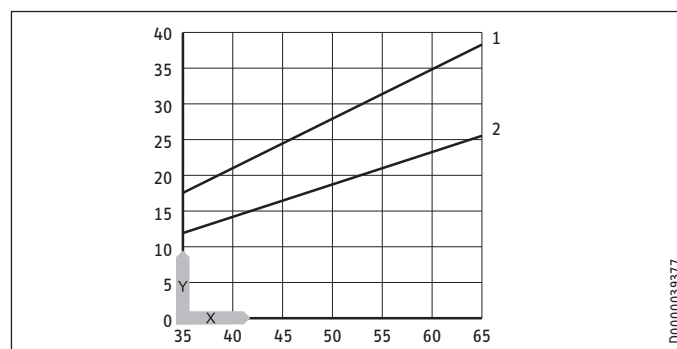
1/N/PE ~ 220-240 V



D0000035810

15.3 Wykres nagrzewania

Czas nagrzewania zależy od stopnia zakamienienia i ciepła resztkowego. Czas nagrzewania przy zasilaniu zimnej wody o temperaturze 10 °C i przy nastawieniu maksymalnej temperatury można odczytać na wykresie.



D0000039377

- x Temperatura w °C
- y Czas w min
- 1 Urządzenie 15 l
- 2 Urządzenie 10 l

15.4 Krajowe dopuszczenia i certyfikaty

Znaki jakości znajdują się na tabliczce znamionowej.

15.5 Ekstremalne warunki robocze i awaryjne

W razie usterki temperatura w instalacji może na krótki czas wzrosnąć do maks. 99 °C.

INSTALACJA

Dane techniczne

15.6 Dane dotyczące zużycia energii

Karta danych produktu: Konwencjonalne ogrzewacze wody użytkowej w rozumieniu rozporządzenia (UE) nr 812/2013 i 814/2013

		SHC 10 233747	SHC 10 GB Eltron 235232	SHC 15 234337	SHC 15 GB Eltron 234407
Producent		STIEBEL ELTRON	STIEBEL ELTRON	STIEBEL ELTRON	STIEBEL ELTRON
Profil obciążeń		XXS	XXS	XXS	XXS
Klasa efektywności energetycznej		A	A	A	A
Sprawność energetyczna	%	36,00	36,00	36,00	36,00
Roczne zużycie prądu	kWh	515	515	516	516
Fabryczne ustawienie temperatury	°C	55	55	55	55
Poziom mocy akustycznej	dB(A)	15	15	15	15
Dzienne zużycie prądu	kWh	2,419	2,419	2,421	2,421

15.7 Tabela danych

		SHC 10 233747			SHC 10 GB Eltron 235232			SHC 15 234337			SHC 15 GB Eltron 234407		
Dane hydrauliczne													
Pojemność znamionowa	l	10			10			15			15		
Objętość wody zmieszanej 40°C	l	15,3			15,3			23			23		
Dane elektryczne													
Napięcie znamionowe	V	220	230	240	220	230	240	220	230	240	220	230	240
Moc znamionowa	kW	1,4	1,5	1,6	1,4	1,5	1,6	1,4	1,5	1,6	1,4	1,5	1,6
Prąd znamionowy	A	6,2	6,5	6,8	6,2	6,5	6,8	6,2	6,5	6,8	6,2	6,5	6,8
Zabezpieczenie	A	10	10	10	10	10	10	10	10	10	10	10	10
Fazy		1/N/PE			1/N/PE			1/N/PE			1/N/PE		
Częstotliwość	Hz	50/60			50/60			50/60			50/60		
Granice stosowania													
Zakres nastaw temperatury	°C	30-65			30-65			30-65			30-65		
Maks. dopuszczalne ciśnienie	MPa	0,6			0,6			0,6			0,6		
Min. ciśnienie na wlocie wody	MPa	0,1			0,1			0,1			0,1		
Maks. ciśnienie na wlocie wody	MPa	0,6			0,6			0,6			0,6		
Maks. strumień przepływu	l/min	10			10			10			10		
Dane energetyczne													
Zużycie energii na podtrzymanie temperatury przez 24 godz. przy 65 °C	kWh	0,48			0,48			0,49			0,49		
Klasa efektywności energetycznej		A			A			A			A		
Wykonania													
Stopień ochrony (IP)		IP24 D			IP24 D			IP24 D			IP24 D		
Sposób montażu		Poniżej punktu poboru wody			Poniżej punktu poboru wody			Poniżej punktu poboru wody			Poniżej punktu poboru wody		
Rodzaj konstrukcji		Zamknięta			Zamknięta			Zamknięta			Zamknięta		
Materiał wewnętrznego zbiornika		Emaliowana stal			Emaliowana stal			Emaliowana stal			Emaliowana stal		
Materiał izolacji cieplnej		EPS			EPS			EPS			EPS		
Materiał obudowy		PS			PS			PS			PS		
Kolor		Biały			Biały			Biały			Biały		
Przyłącza													
Przyłącze wody		G 1/2 A			G 1/2 A			G 1/2 A			G 1/2 A		
Wymiary													
Głębokość	mm	270			270			318			318		
Wysokość	mm	430			430			452			452		
Szerokość	mm	280			280			320			320		
Masy													
Masa	kg	7,2			7,2			9,0			9,0		

Gwarancja

Urządzeń zakupionych poza granicami Niemiec nie obejmują warunki gwarancji naszych niemieckich spółek. Ponadto w krajach, w których jedna z naszych spółek córek jest dystrybutorem naszych produktów, gwarancji może udzielić wyłącznie ta spółka. Taka gwarancja obowiązuje tylko wówczas, gdy spółka-córka sformułowała własne warunki gwarancji. W innych przypadkach gwarancja nie jest udzielana.

Nie udzielamy gwarancji na urządzenia zakupione w krajach, w których żadna z naszych spółek córek nie jest dystrybutorem naszych produktów. Ewentualne gwarancje udzielone przez importera zachowują ważność.

Ochrona środowiska i recycling

Pomóż chronić środowisko naturalne. Materiały po wykorzystaniu należy utylizować zgodnie z krajowymi przepisami.

NOTATKI

Deutschland

STIEBEL ELTRON GmbH & Co. KG
Dr.-Stiebel-Straße 33 | 37603 Holzminden
Tel. 05531 702-0 | Fax 05531 702-480
info@stiebel-eltron.de
www.stiebel-eltron.de

Verkauf

Tel. 05531 702-110 | Fax 05531 702-95108 | info-center@stiebel-eltron.de

Kundendienst

Tel. 05531 702-111 | Fax 05531 702-95890 | kundendienst@stiebel-eltron.de

Ersatzteilverkauf

Tel. 05531 702-120 | Fax 05531 702-95335 | ersatzteile@stiebel-eltron.de

Australia

STIEBEL ELTRON Australia Pty. Ltd.
294 Salmon Street | Port Melbourne VIC 3207
Tel. 03 9645-1833 | Fax 03 9644-5091
info@stiebel-eltron.com.au
www.stiebel-eltron.com.au

Austria

STIEBEL ELTRON Ges.m.b.H.
Gewerbegebiet Neubau-Nord
Margaritenstraße 4 A | 4063 Hörsching
Tel. 07221 74600-0 | Fax 07221 74600-42
info@stiebel-eltron.at
www.stiebel-eltron.at

Belgium

STIEBEL ELTRON bvba/sprl
't Hofveld 6 - D1 | 1702 Groot-Bijgaarden
Tel. 02 42322-22 | Fax 02 42322-12
info@stiebel-eltron.be
www.stiebel-eltron.be

China

STIEBEL ELTRON (Tianjin) Electric Appliance
Co., Ltd.
Plant C3, XEDA International Industry City
Xiqing Economic Development Area
300385 Tianjin
Tel. 022 8396 2077 | Fax 022 8396 2075
info@stiebel-eltron.cn
www.stiebel-eltron.cn

Czech Republic

STIEBEL ELTRON spol. s r.o.
Dopraváků 749/3 | 184 00 Praha 8
Tel. 251116-111 | Fax 235512-122
info@stiebel-eltron.cz
www.stiebel-eltron.cz

Finland

STIEBEL ELTRON OY
Kapinakuja 1 | 04600 Mäntsälä
Tel. 020 720-9988
info@stiebel-eltron.fi
www.stiebel-eltron.fi

France

STIEBEL ELTRON SAS
7-9, rue des Selliers
B.P 85107 | 57073 Metz-Cédex 3
Tel. 0387 7438-88 | Fax 0387 7468-26
info@stiebel-eltron.fr
www.stiebel-eltron.fr

Hungary

STIEBEL ELTRON Kft.
Gyár u. 2 | 2040 Budaörs
Tel. 01 250-6055 | Fax 01 368-8097
info@stiebel-eltron.hu
www.stiebel-eltron.hu

Japan

NIHON STIEBEL Co. Ltd.
Kowa Kawasaki Nishiguchi Building 8F
66-2 Horikawa-Cho
Saiwai-Ku | 212-0013 Kawasaki
Tel. 044 540-3200 | Fax 044 540-3210
info@nihonstiebel.co.jp
www.nihonstiebel.co.jp

Netherlands

STIEBEL ELTRON Nederland B.V.
Daviotenweg 36 | 5222 BH 's-Hertogenbosch
Tel. 073 623-0000 | Fax 073 623-1141
info@stiebel-eltron.nl
www.stiebel-eltron.nl

New Zealand

Stiebel Eltron NZ Limited
61 Barrys Point Road | Auckland 0622
Tel. +64 9486 2221
info@stiebel-eltron.co.nz
www.stiebel-eltron.co.nz

Poland

STIEBEL ELTRON Polska Sp. z o.o.
ul. Działkowa 2 | 02-234 Warszawa
Tel. 022 60920-30 | Fax 022 60920-29
biuro@stiebel-eltron.pl
www.stiebel-eltron.pl

Russia

STIEBEL ELTRON LLC RUSSIA
Urzhumskaya street 4,
building 2 | 129343 Moscow
Tel. +7 495 125 0 125
info@stiebel-eltron.ru
www.stiebel-eltron.ru

Slovakia

STIEBEL ELTRON Slovakia, s.r.o.
Hlavná 1 | 058 01 Poprad
Tel. 052 7127-125 | Fax 052 7127-148
info@stiebel-eltron.sk
www.stiebel-eltron.sk

Switzerland

STIEBEL ELTRON AG
Industrie West
Gass 8 | 5242 Lupfig
Tel. 056 4640-500 | Fax 056 4640-501
info@stiebel-eltron.ch
www.stiebel-eltron.ch

Thailand

STIEBEL ELTRON Asia Ltd.
469 Moo 2 Tambol Klong-Jik
Amphur Bangpa-In | 13160 Ayutthaya
Tel. 035 220088 | Fax 035 221188
info@stiebel-eltronasia.com
www.stiebel-eltronasia.com

United Kingdom and Ireland

STIEBEL ELTRON UK Ltd.
Unit 12 Stadium Court
Stadium Road | CH62 3RP Bromborough
Tel. 0151 346-2300 | Fax 0151 334-2913
info@stiebel-eltron.co.uk
www.stiebel-eltron.co.uk

United States of America

STIEBEL ELTRON, Inc.
17 West Street | 01088 West Hatfield MA
Tel. 0413 247-3380 | Fax 0413 247-3369
info@stiebel-eltron-usa.com
www.stiebel-eltron-usa.com

STIEBEL ELTRON



Irrtum und technische Änderungen vorbehalten! | Subject to errors and technical changes! | Sous réserve d'erreurs et de modifications techniques! | Onder voorbehoud van vergissingen en technische wijzigingen! | Salvo error o modificación técnica! | Excepto erro ou alteração técnica | Zastrzeżone zmiany techniczne i ewentualne błędy | Omyly a technické změny jsou vyhrazeny! | A muszaki változtatások és tévedések jogát fenntartjuk! | Отсутствие ошибок не гарантируется. Возможны технические изменения. | Chyby a technické zmeny sú vyhradené! | Stand 9646